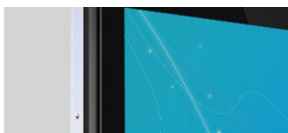


# 15.6 inch touch Lcd Monitor



with the ubiquitous HDMI interface, the Hlink-156BS-CS is a widest viewing angle lcd monitor with Capacitive touch for applications that will be integrated into other equipment or enclosures. Future generation panels can be phased-in without external changes. The Hlink-156BS-CS is designed to provide the most cost effective solutions, they have been widely used in industries such as industrial equipment, ships, intelligent equipment, banks, electricity, metallurgy, high-speed rail, subway, public transportation, airports and docks, digital signage, UAV ground monitoring, intelligent logistics, etc.

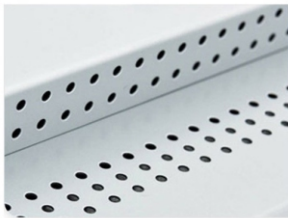
## Design Details



**Round Corner Frame Design**  
Metal body, round corner frame design, auto industry baking paint

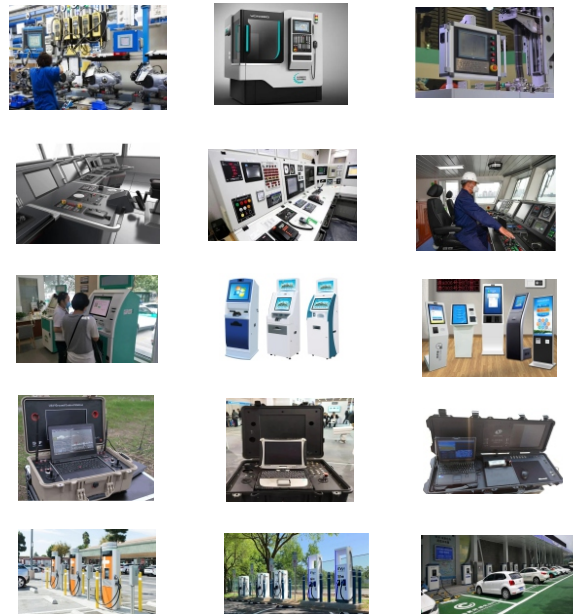
### Tempered glass panel

It is dust-proof and scratch resistant, durable, with high light transmittance and clear picture

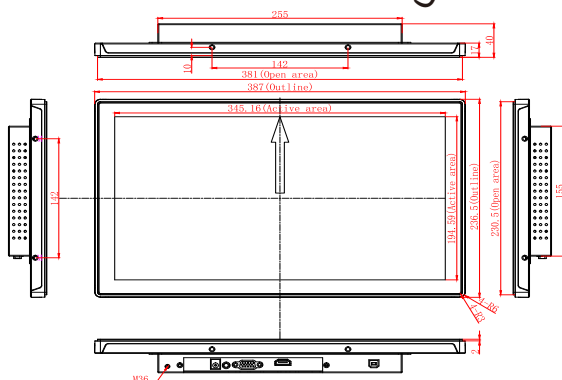


**Porous Heat Dissipation**  
Porous heat dissipation design can improve heat dissipation performance and product service time

## Where is it applied?



## All drawing



## Back drawing

