

10.4 inch touch Lcd Monitor



with the ubiquitous HDMI interface, the Hlink-104BS-CS is a widest viewing angle lcd monitor with Capacitive touch for applications that will be integrated into other equipment or enclosures. Future generation panels can be phased-in without external changes. The Hlink-104BS-CS is designed to provide the most cost effective solutions, they have been widely used in industries such as industrial equipment, ships, intelligent equipment, banks, electricity, metallurgy, high-speed rail, subway, public transportation, airports and docks, digital signage, UAV ground monitoring, intelligent logistics, etc.

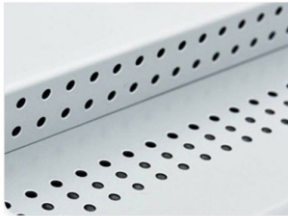
Design Details



Round Corner Frame Design
Metal body, round corner frame design, auto industry baking paint

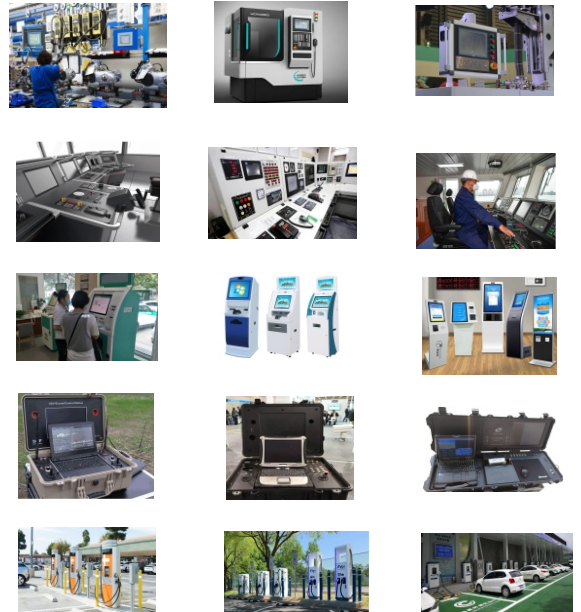
Tempered glass panel

It is dust-proof and scratch resistant, durable, with high light transmittance and clear picture

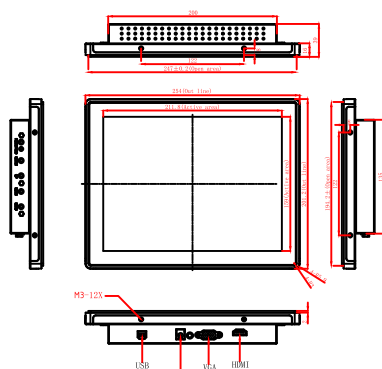


Porous Heat Dissipation
Porous heat dissipation design can improve heat dissipation performance and product service time

Where is it applied?



All drawing



Back drawing

