

PCB Magazine type Buffer



PCB Magazine type Buffer

FEATURE

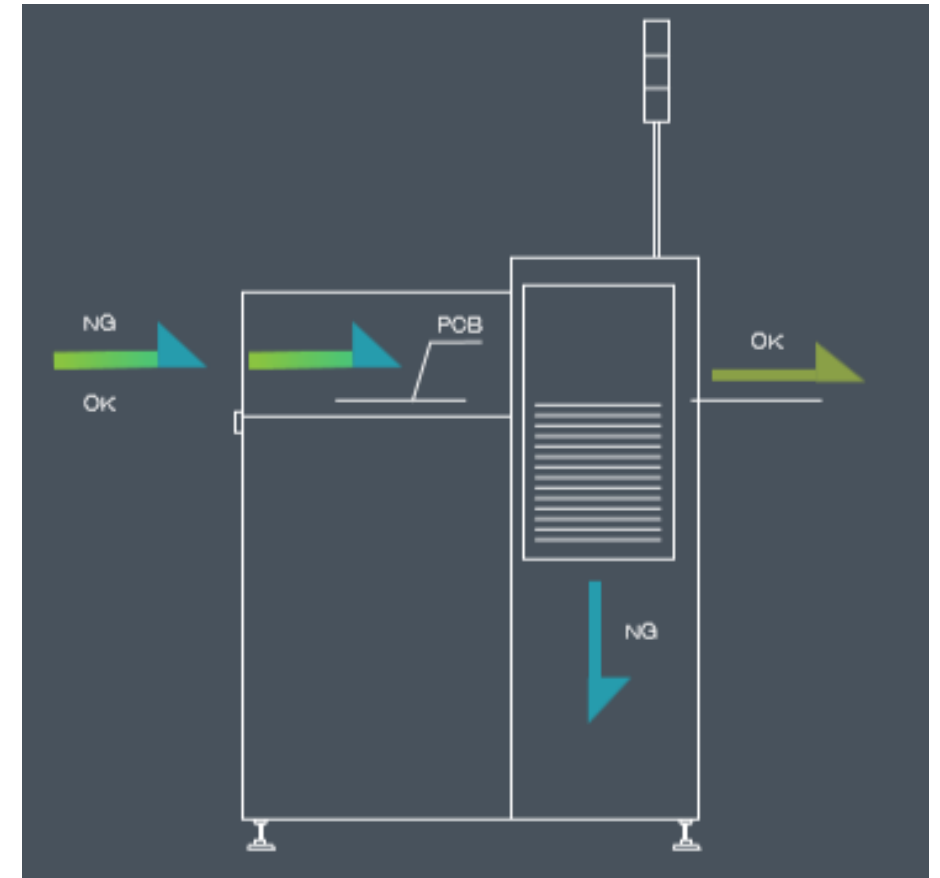
- User friendly ' soft touch ' LED HMI control panel easier operation
- Top & bottom pneumatic clamps to secure magazine rack
- No PCB breakage guaranty because of special design
- Store NG/OK PCBs automatically according to the signal of previous equipment
- Six operation modes: FIFO(First in first out).LIFO(last in first out) and pass through function
- Fast, smooth and accurate retrieval positions
- Build in recall function for control the order of PCB pass in and out
- 50 PCBs storing capability
- SMEMA compatible



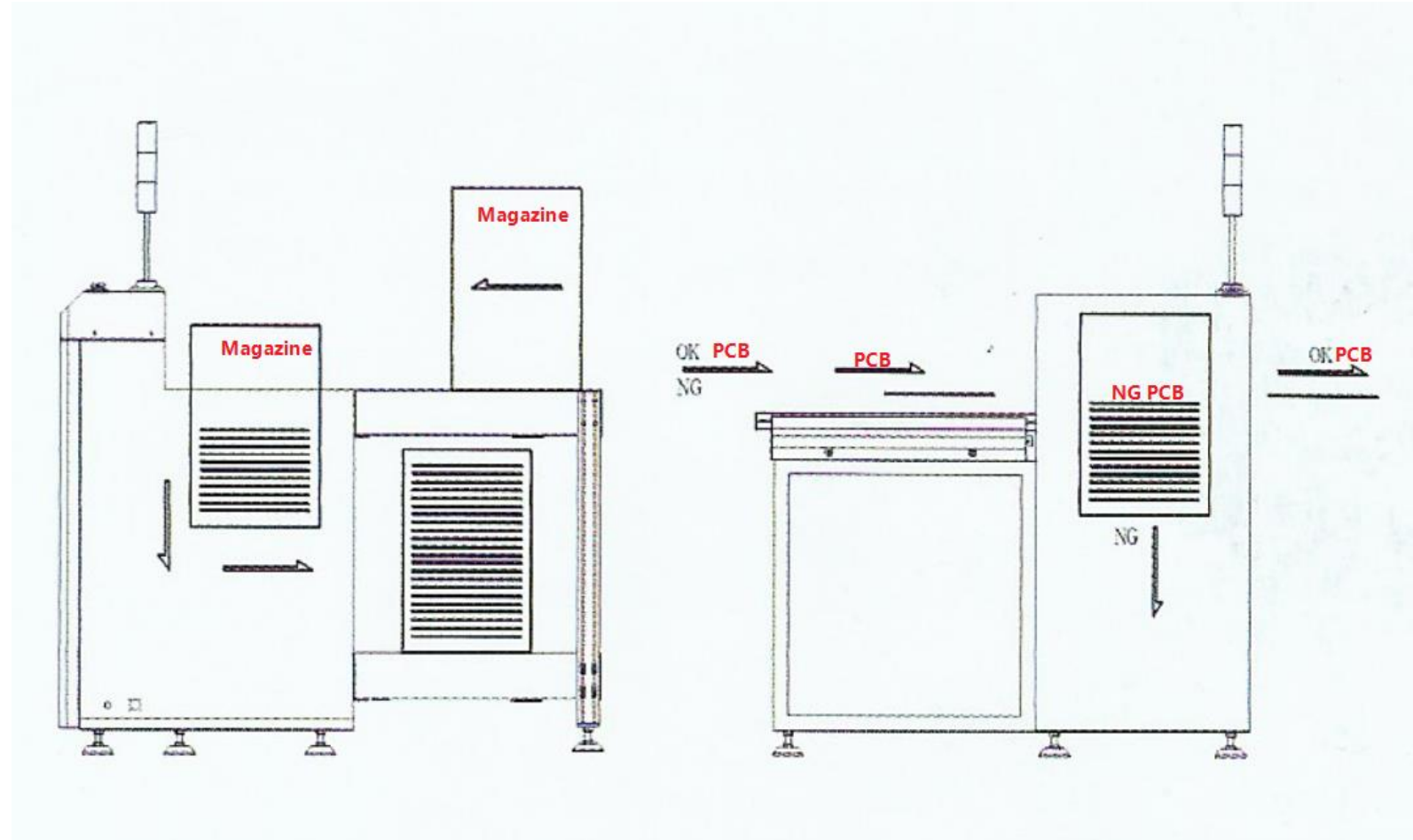
PCB Magazine type Buffer

TECHNICAL PARAMETERS

- Description: This device used for receiving NG board or memory board
- No.of Magazine: Upper conveyor: 1 magazine; lower conveyor:2 magazine
- Indexing pitch: 10.20.30.40mm or specify
- Power Source: AC 110 volts or 220 volts; single phase
- Power consumption: Max 250VA
- Air pressure & air consumption: 4-6bar, 15ltr/min
- Transport height: 900±20MM
- Transport direction: From left to right or right to left



PCB Magazine type Buffer

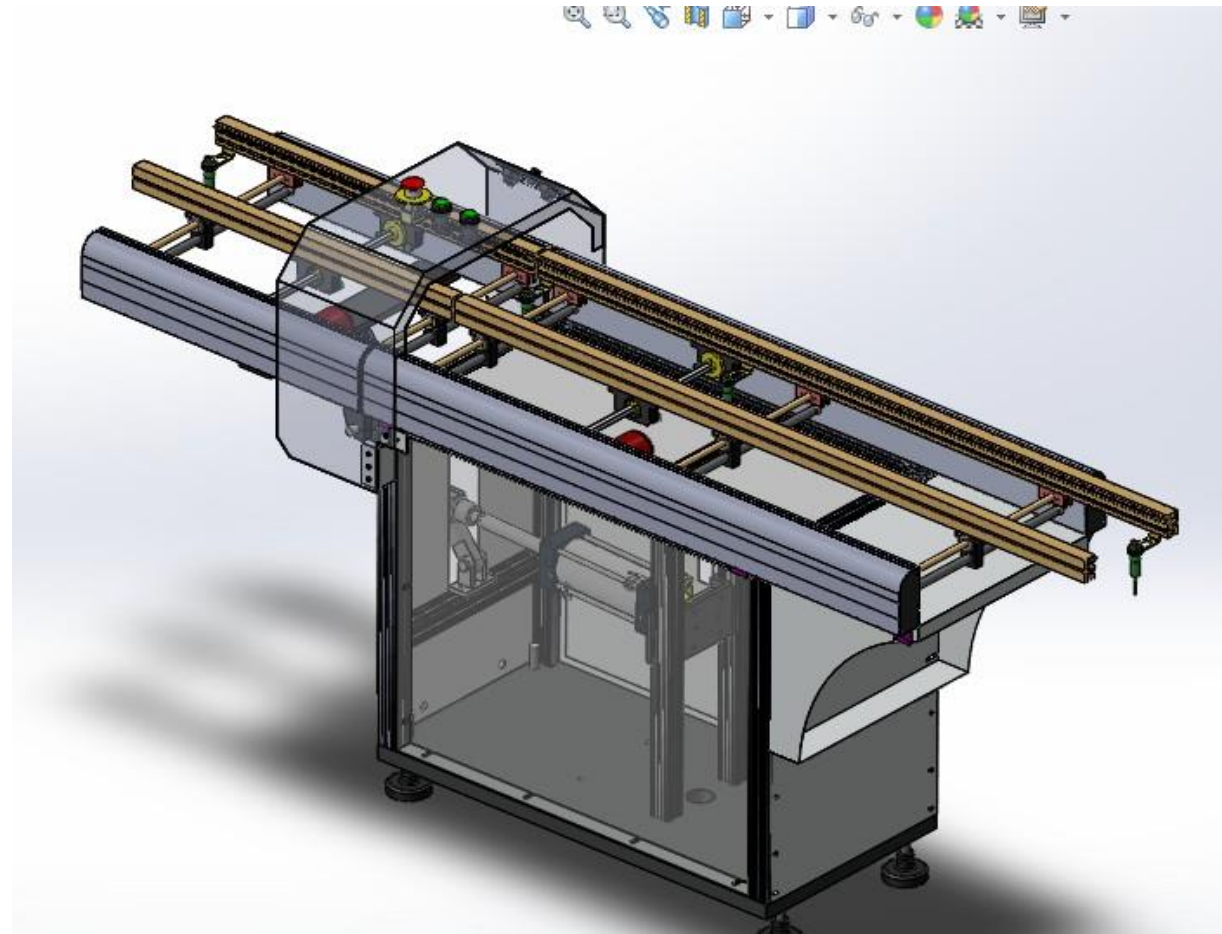


PCB Magazine type Buffer working video

Model	Dimnsion (LWH mm)	PCB Size (mm)	Magazine Size	Weight(Kg)	Price(USD)
SBM250	1150x1150x1205	50x50-330x250	355x320x563	160	
SBM330	1350x1350x1205	50x50-445x330	460x400x563	220	
SBM390	1550x1550x1205	50x50-530x390	535x460x563	280	
SBM460	1750x1750x1205	50x50-530x460	535x530x563	340	



PCB Drop Door Conveyor



PCB Drop Door Conveyor

This equipment is used for intermediate aisle connection when the SMT production line is very long

FEATURE

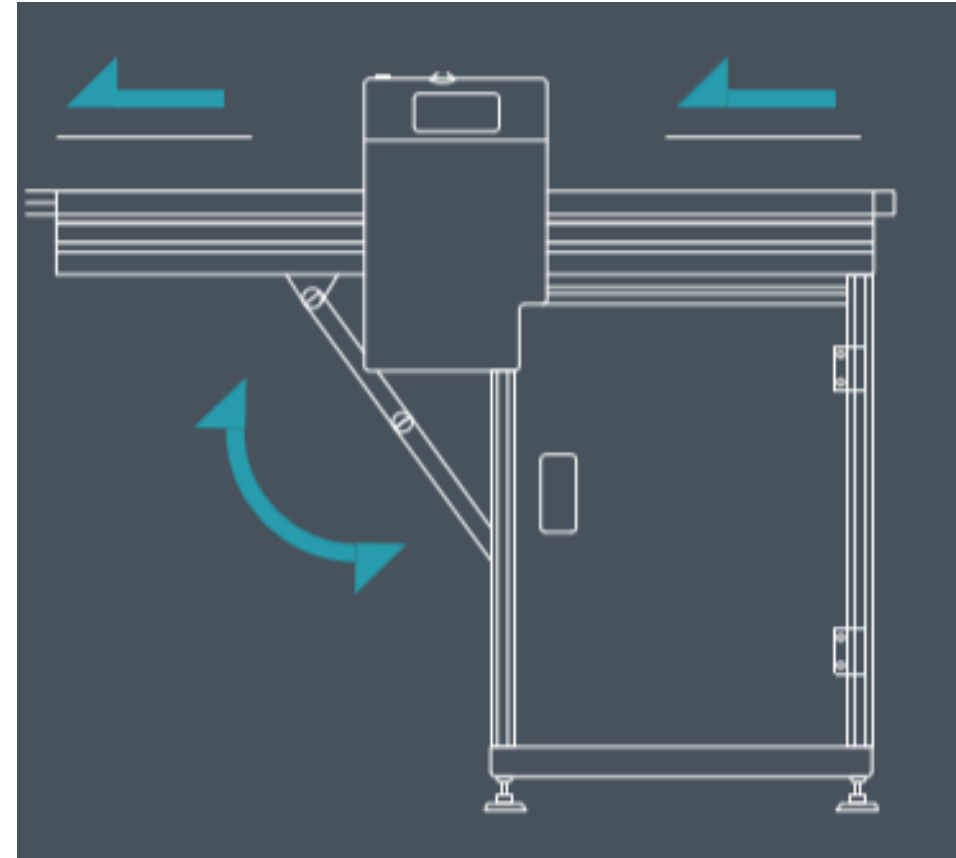
- Lowering and lifting of gate conveyor (push buttons control)
- 650 mm passage way or specify
- Parallel and smooth width adjustment (leadscrew)
- Safety sensor installed to enhance safety
- SMEMA compatible



PCB Drop Door Conveyor

TECHNICAL PARAMETERS

- Description: used for intermediate aisle connection when the SMT production line is very long
- Belt type: Round belt or oblate belt
- Conveyor Speed: 0.5-20M/min or specify
- Power supply: AC110 volts or 220 volts; single phase
- Power: Max 100VA
- Air pressure & consumption: 4-6bar, 48ltr/min max
- Transport height: 900±20MM (or customer specified)
- Transport direction: From left to right (or right to left)



PCB Drop Door Conveyor



PCB Drop Door Conveyor

Model	Dimnsion (LWH mm)	PCB Size (mm)	Weight(Kg)	Price(USD)
SLC460W-N	1300x570x1050	50x50-530x460	180	

Welcome inquiry

- 1, Please visit : www.smthelp.com
- 2, Find us more: <https://www.facebook.com/autoinsertion>
- 3, Know more our team: <https://cn.linkedin.com/in/smtsupplier>
- 4, Welcome to our factory in Shenzhen China
- 5, See more machine working video, please Youtube: Auto Insertion
- 6, Google: Auto+insertion, to get more informations
- 7, Looking forward to your email: info@smthelp.com