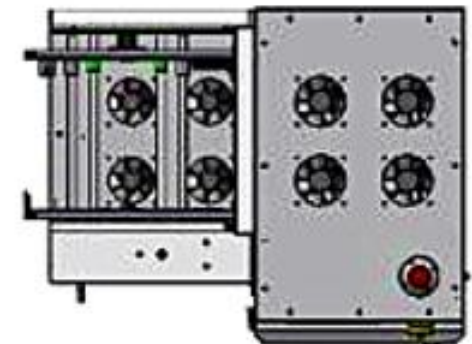
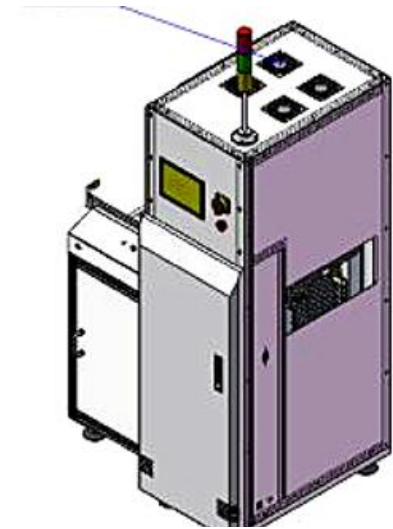
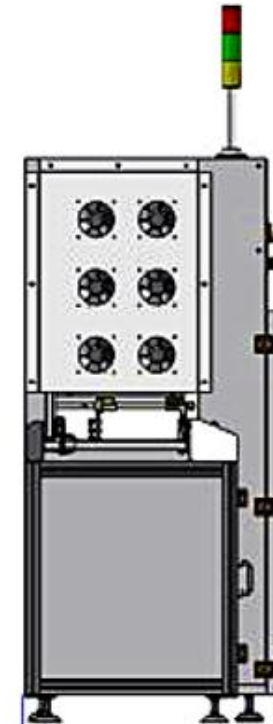


PCB Cooling Buffers Machine

1. PLC+ touch screen control, easy to operate.
2. Use durable rollers for transmission (No need change belts)
3. Three modes of operation: FIFO (first in first out), LIFO (last in first out), PASS.
4. Smooth and precise width adjustment (leadscrew).
5. **Direction: L to R**
6. Pitch selection : 25, 50mm
7. **Biggest store PCB number : 25PC**
8. **Power supply: 110 v, 50 hz**
5. Fast, smooth and precise search and location.
6. Full closed design ensures safety level of operation.
7. Smaller footprint.
9. Transfer height: 920±30 mm
10. With SMEMA signal.



Model	Dimension (L*W*H.MM)	Effection PCB size	Weight(KG)
SBM450	1000*910*1600	50*50-460*460	195KG

SMT Cooling Buffers QTY 2

Description

This unit is used for faulty boards which can be lifted up for visual inspection without interrupting the PCBs flow.

Features

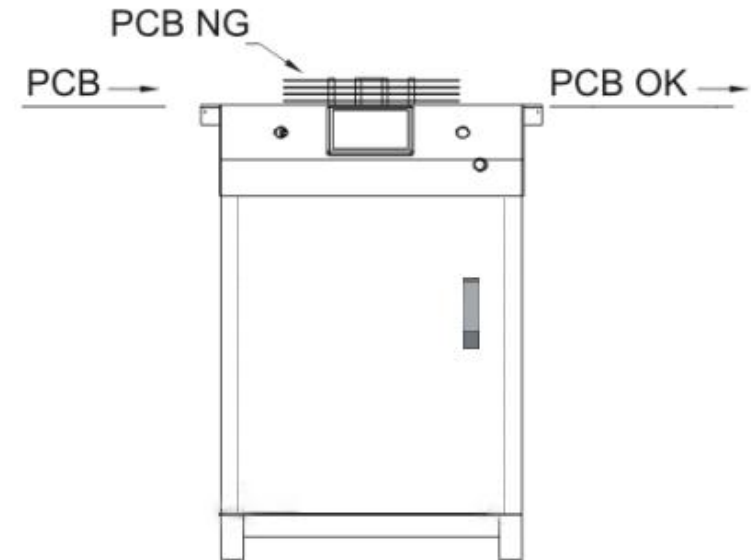
- Modular design
- User friendly 'soft touch' LED membrane control panel
- Includes 3 modes: 'reject', 'inspect' and 'pass through' modes
- Stability enhanced by 'robust design'
- Ergonomically designed arm rest
- Smooth and parallel width adjustment
- Different lengths available upon request
- Variable speed control
- SMEMA compatible

Specifications

Model	Dimension (L*W*H.MM)	PCB size(MM)	Weight(KG)
SRC-460D	1000*795*900	50*50-460*460	90KG



Schematic



NG Conveyor QTY 1

Description

This unit is used for loading of bare PCBs to the production line.

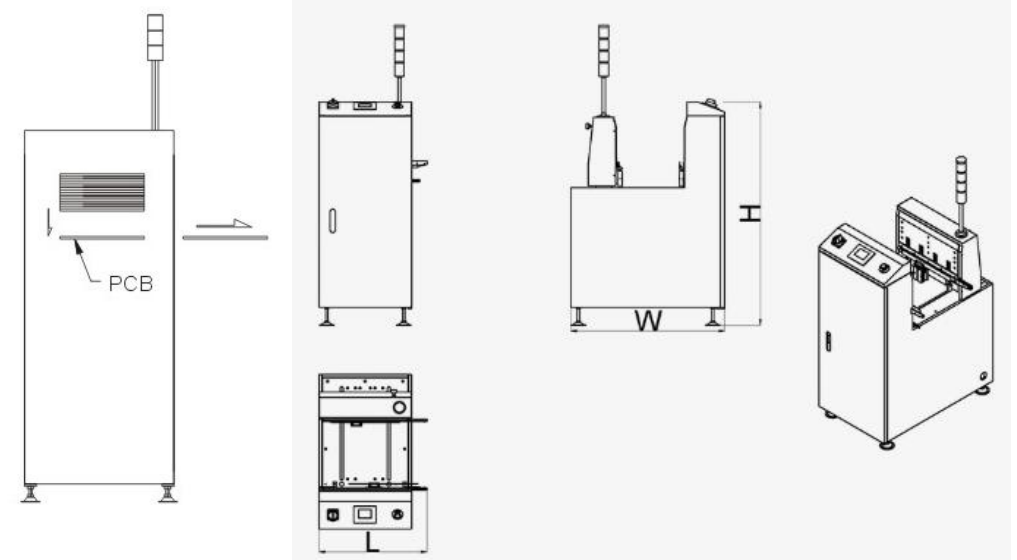
Features

- 200 board stack capability with 0.4 mm board thickness
- Variable speed in/speed out and PLC control System
- Board unload or pass-through mode
- Variable thickness adjust dial and Slide-width adjust
- SMC Cylinder and Fixed front rail
- Adjustable transfer height
- Interface mounting brackets
- SMEMA compatible

Specifications



Schematic&Structure



Model	Dimension (L*W*H.MM)	PCB size(MM)	Weight(KG)	PCB storage
SLC460W-B	550*890*1200	50*50-460*460	200KG	200PCS/0.4mm

Destakers QTY 2

90 degree turning conveyor 0 degree turning conveyor

Board handing system conveyor serial

Description

This unit is used to redirect PCBs in a production line, usually used for two combined one assembly line, L or U type SMT assembly line.

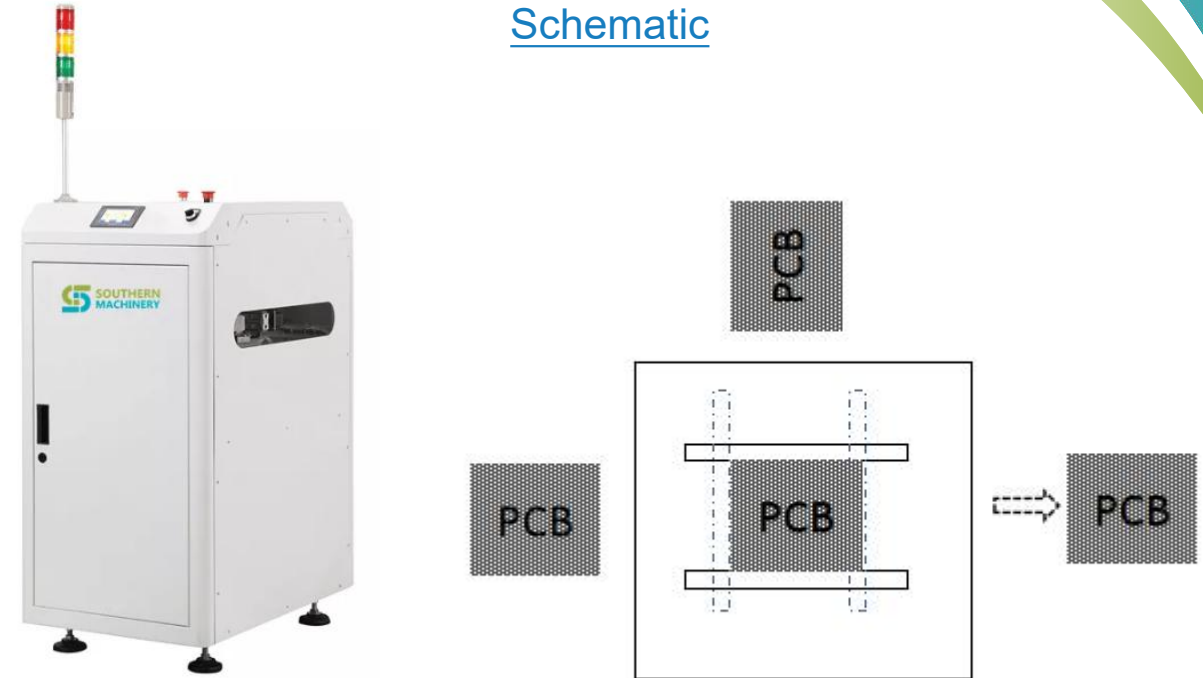
Features

- User friendly 'soft-touch' LED control membrane control panel
- Enclosed design with built-in torque limiter ensures highest level of safety
- Top cover can be opened for easy access to hardware during maintenance
- Parallel and smooth width adjustment (leadscrew)
- Steady and precise scaling (retractable motor)
- Minimize transmission clearance between conveyor
- Different sizes available upon request
- PCB traffic flows can be customised
- SMEMA compatible

Specifications

Model	Dimension (L*W*H.MM)	Effect PCB size	Weight(KG)	Remark
SCN460	580*800*1200	50*50-400*460	170KG	90 degree
SCN460L	580*800*1200	50*50-400*460	170KG	0 degree

Schematic



Rotary conveyor 0° a 90° QTY 2
Rotary conveyor 90° a 0° QTY 2

Description

This unit is used as a visual inspection station for operators between SMT machines or board hand unit to link the machines.

Features

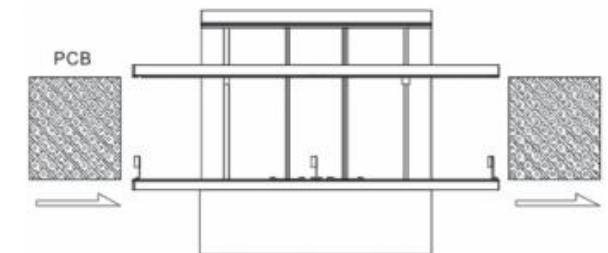
- Modular design, PLC controlled
- Stability enhanced by heavy design
- Worktable included by default
- Smooth and parallel width adjustment (stainless steel screws)
- Different lengths available upon request
- Multi-segment concept available upon request
- Automatic/Manual modes
- Variable speed control
- Inspection button
- SMEMA compatible
- Conveyor height 900±20mm
- Metal chain transmission track

Specifications

Model	Dimension (L*W*H.MM)	PCB size(MM)	Weight(KG)	Remark
S-460D	1000*786*900	50*50-460*460	110KG	no Lighting/with Lighting



Schematic



Link conveyor QTY 1

Description

This unit is used as a visual inspection station for operators between SMT machines or board hand unit to link the machines.

Features

- Modular design, PLC controlled
- Stability enhanced by heavy design
- Worktable included by default
- Smooth and parallel width adjustment (stainless steel screws)
- Different lengths available upon request
- Multi-segment concept available upon request
- Automatic/Manual modes
- Variable speed control
- Inspection button
- SMEMA compatible
- Conveyor height 900±20mm



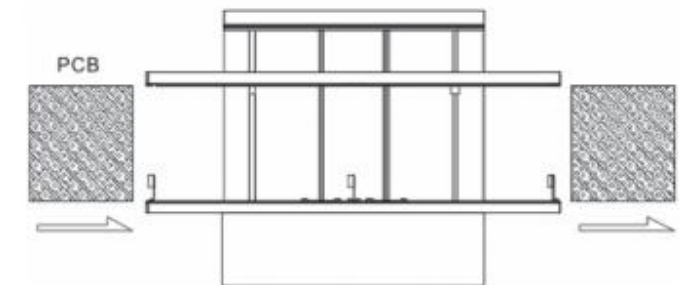
Options

- Anti-dust Covers
- Touch screen
- High-Clearance on request
- Cooling fans on top/bottom for after-reflow
- Light system for better inspection
- Support for Monitor
- Shelf with ESD component boxes
- Motorized/Automatic width adjustment
- Choice of different belt width and chain transport system
- Mechanical stopper
- Foot pedal pass control
- Narrow footprint
- With bottom cabinet

Specifications

Model	Dimension (L*W*H.MM)	PCB size(MM)	Weight(KG)	Remark
S-460D	1000*786*900	50*50-460*460	90KG/95KG	no Lighting/with Lighting

Schematic



Description

This unit is used for removing dust, particles, glass fiber & etc on bare PCBs surface.

Features

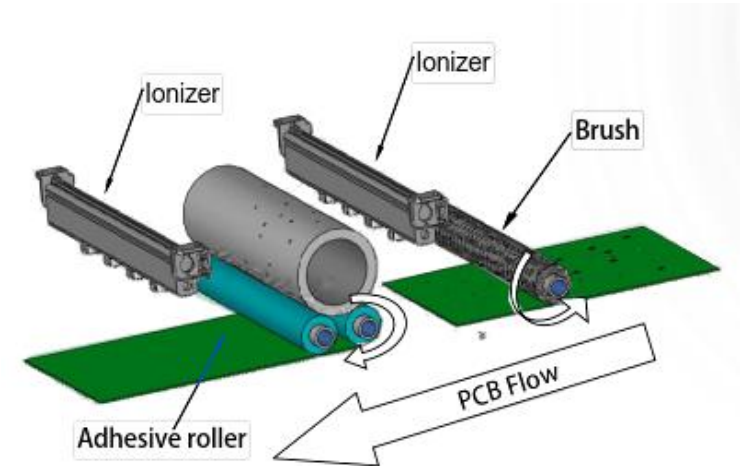
- User friendly touch screen panel
- Preset PCB counter and warning alarm will sound as reminder to change adhesive rolls
- Easy access to adhesive rolls
- Drawer design,easily to do maintenance
- Multiple dust removal design, efficiency can reach 90%
- Smooth and parallel width adjustment (lead screw)
- SMEMA compatible
- Double side cleaning (optional)
- Automatic conveyor width adjustment(optional)
- PCB thickness:0.6~5mm

Specifications

Model	Dimension (L*W*H.MM)	Effection PCB size	Weight(KG)	Remark
SQC460	550*850*1200	50*50-530*460	160KG	Single side

PCB cleaner conveyor QTY 1

Schematic



WELCOME INQUIRY

Please visit

www.smthelp.com

Find us more

<https://www.facebook.com/autoinsertion>

Know more our team

<https://cn.linkedin.com/in/smtsupplier>

Welcome to our factory in Shenzhen China

See more machine working video, please Youtube [Auto Insertion](#)

Google

Auto+insertion, to get more informations

Looking forward to your email

shaoyong@smthelp.com