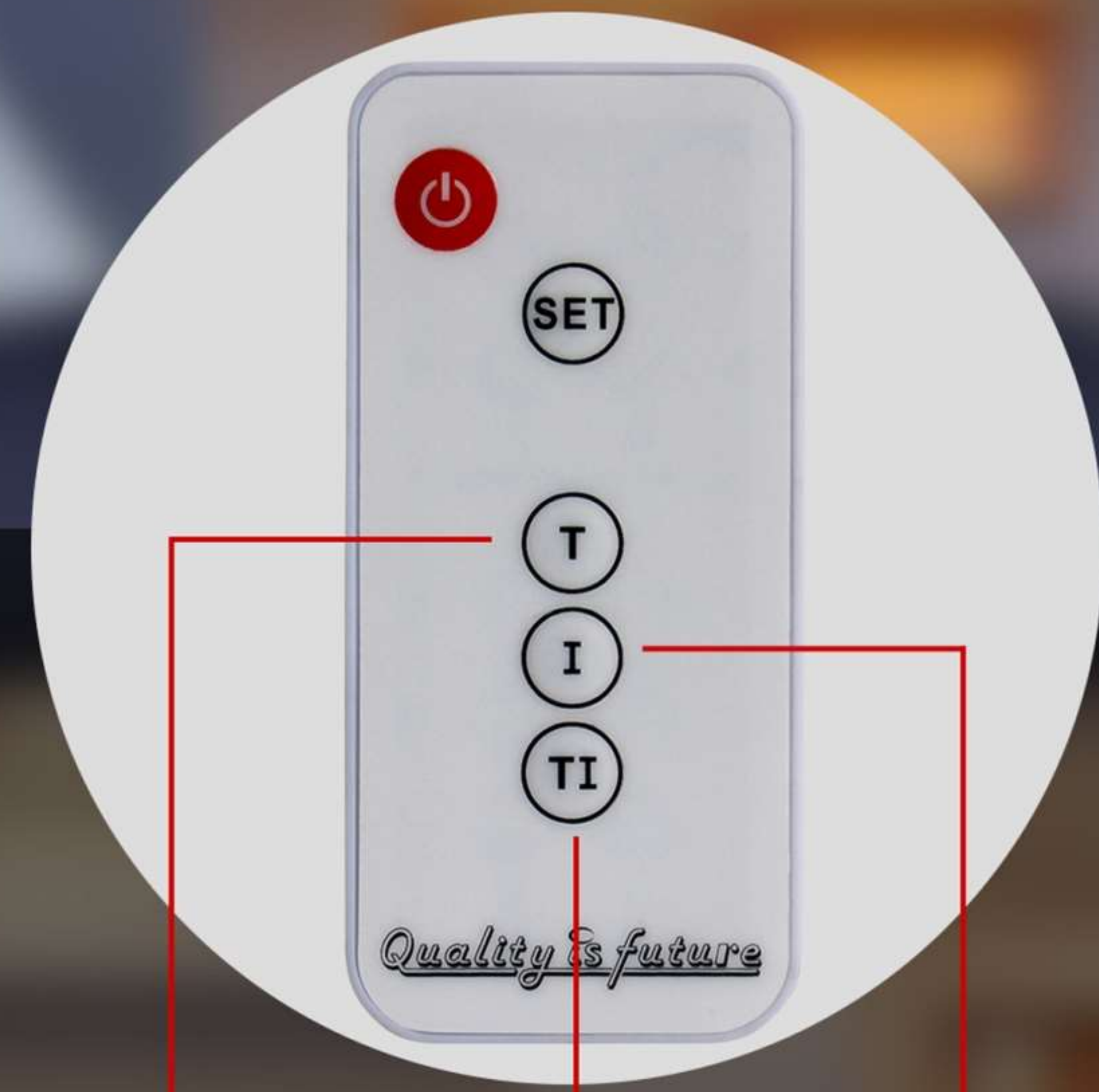


SMOOTH STRUCTURE
BEAUTIFUL APPEARANCE



TIME CONTROL MODE MIXED MODE INDUCTION MODE

FX SERIES
MULTIMODE CONVERSION

Remote control control conversion mode
One lamp, multiple modes, change if you want



REMOTE CONTROL
MULTI MODE
CONVERSION



3030 LIGHT SOURCE
ULTRA HIGH
BRIGHTNESS



INTELLIGENT
INDUCTION



HORIZONTAL SLEEVE
EASY TO INSTALL



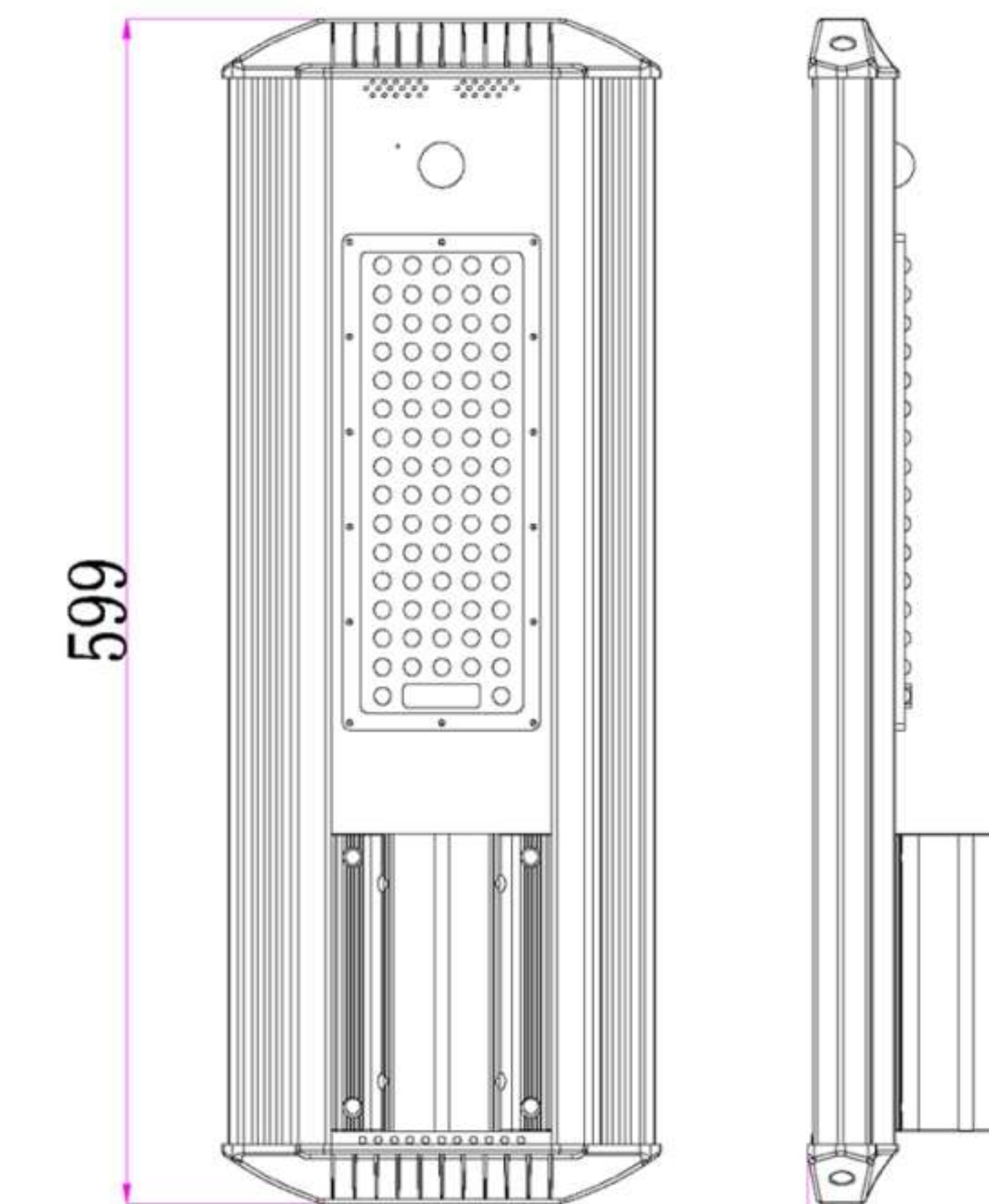
Model	FX-01	Working temperature	-20°C~60°C
Battery	Lithium battery	Solar panels	High Efficiency Silicon
LED Light source	USA Bridgelux	Package weight	4.5KG
Lumen	2000LM	Product size	595*222*116mm
Protection level	IP66	Package size	750*100*280mm
Working hours	12H, 3-5 rainy days		



Model	FX-02	Working temperature	-20°C~60°C
Battery	Lithium battery	Solar panels	High Efficiency Silicon
LED Light source	USA Bridgelux	Package weight	5.2KG
Lumen	3000LM	Product size	890*222*116mm
Protection level	IP66	Package size	1045*100*280mm
Working hours	12H, 3-5 rainy days		

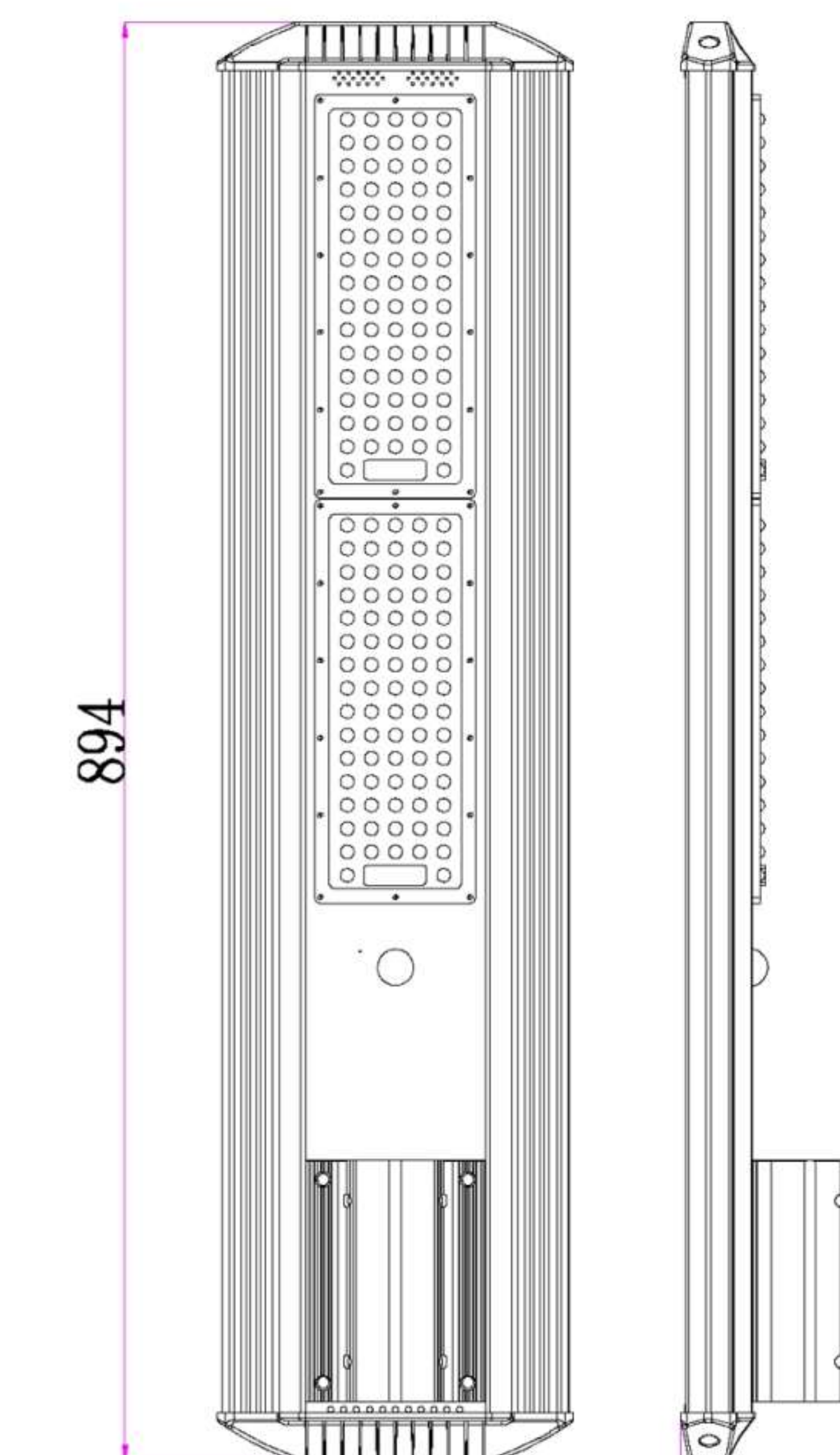
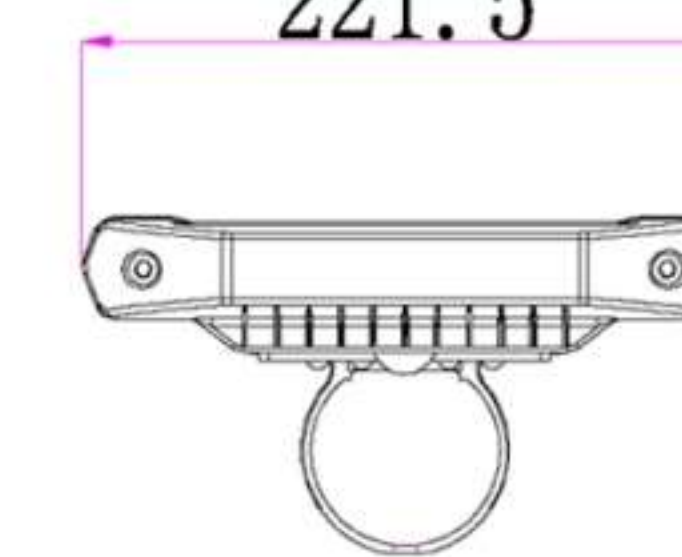


Model	FX-03	Working temperature	-20°C~60°C
Battery	Lithium battery	Solar panels	High Efficiency Silicon
LED Light source	USA Bridgelux	Package weight	6.35KG
Lumen	4000LM	Product size	1074*222*116mm
Protection level	IP66	Package size	1240*100*280mm
Working hours	12H, 3-5 rainy days		



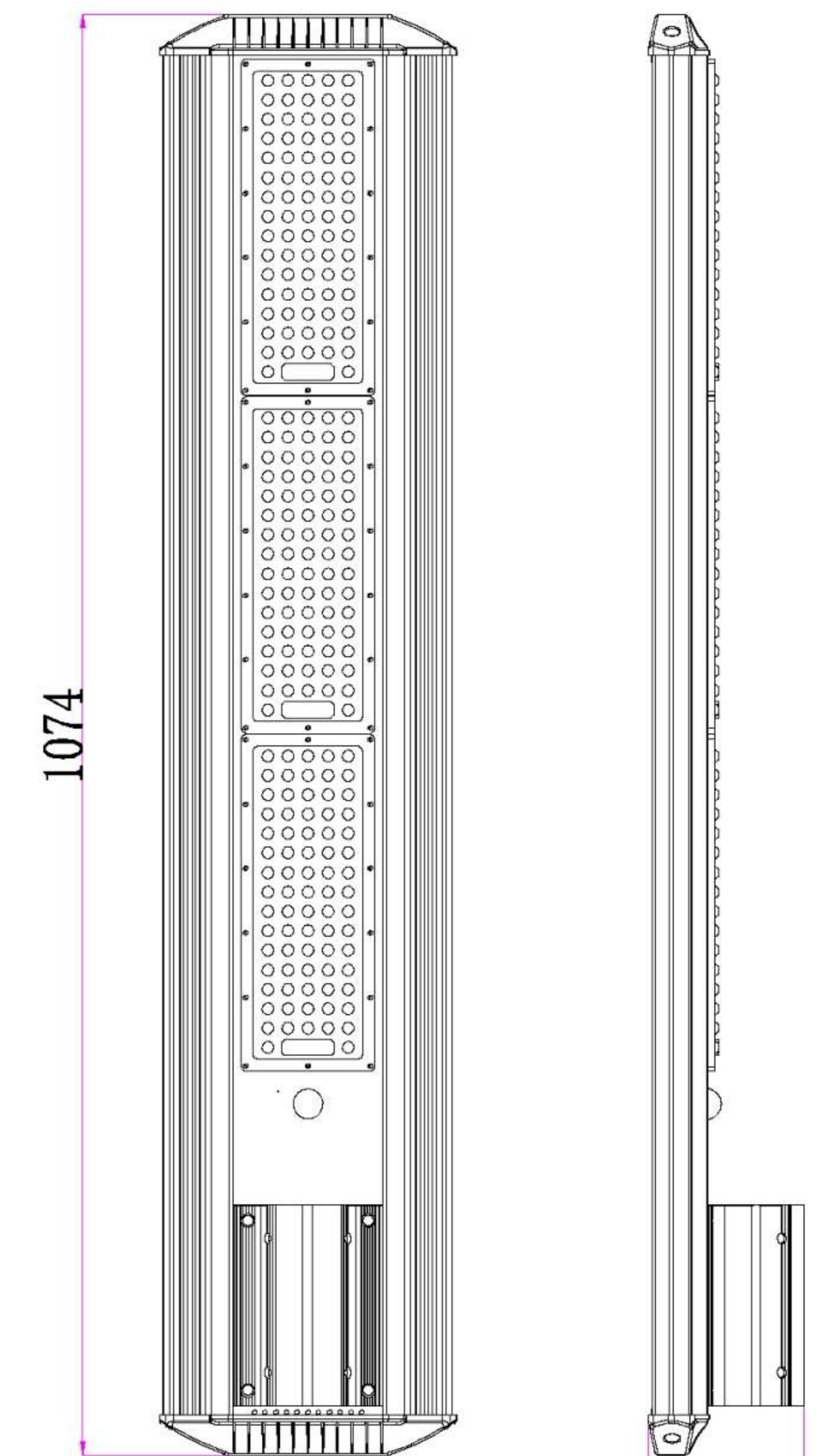
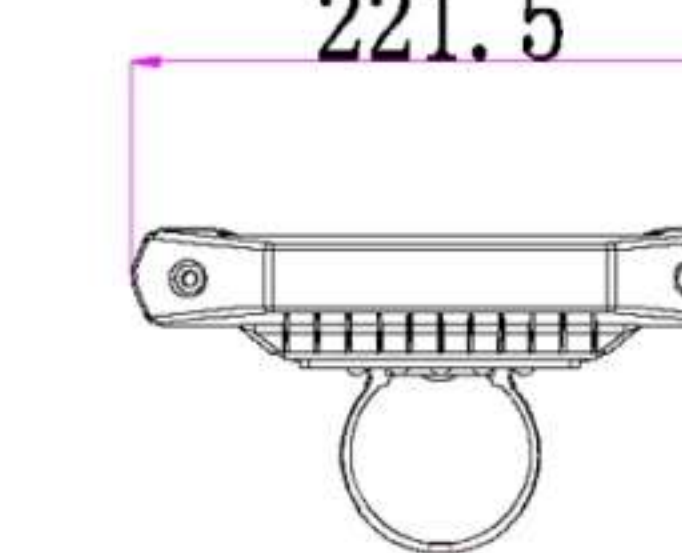
221.5

116



221.5

116



221.5

116

