



Noble Lighting Technology Co., Limited.

SPECIFICATION



Product Model: NL-UFO-150W/AC

Product Name : 150W UFO LED High Bay Light

Reported By	Audited By	Approved By
Andy	Alex	Norman

CE



ROHS



IP65

Features:

- ◆ The High bright Sanan SMD2835 Chips.
- ◆ The crust in aluminum alloy die casting ensures the efficiency of heat emission, guaranteeing the light a long life span.
- ◆ The high pure aluminum as the housing has high reflecting efficiency, and it can make sure the luminous flux, controlling the light inside of a useful area. It improves the efficiency of light uniformity and utilization, showing the LED advantage of energy saving.
- ◆ The PC lens and the surface treatment makes the light work perfectly in the high humidity environments.
- ◆ Without driver;driver on board;input voltage: AC220-240V.
- ◆ No delay start. No waiting. It can reach its normal light as soon as it is turned on. No noise.
- ◆ Can present the original color of objects lit. The color rendering index of our LED tunnel light is over 70, and it looks like natural light. When vehicles enter into tunnels, drivers can adapt to the color immediately, making sure of driving safety.
- ◆ No electrical wave, conforming to CE.
- ◆ Environment friendly and no air pollution. We exert the design of using cold light source. It's no heat radiation. There is no harm to our eyes and skin. The fixture do not have lead, hydrargyrum and any other contamination. It is really environment friendly with ROHS certificate

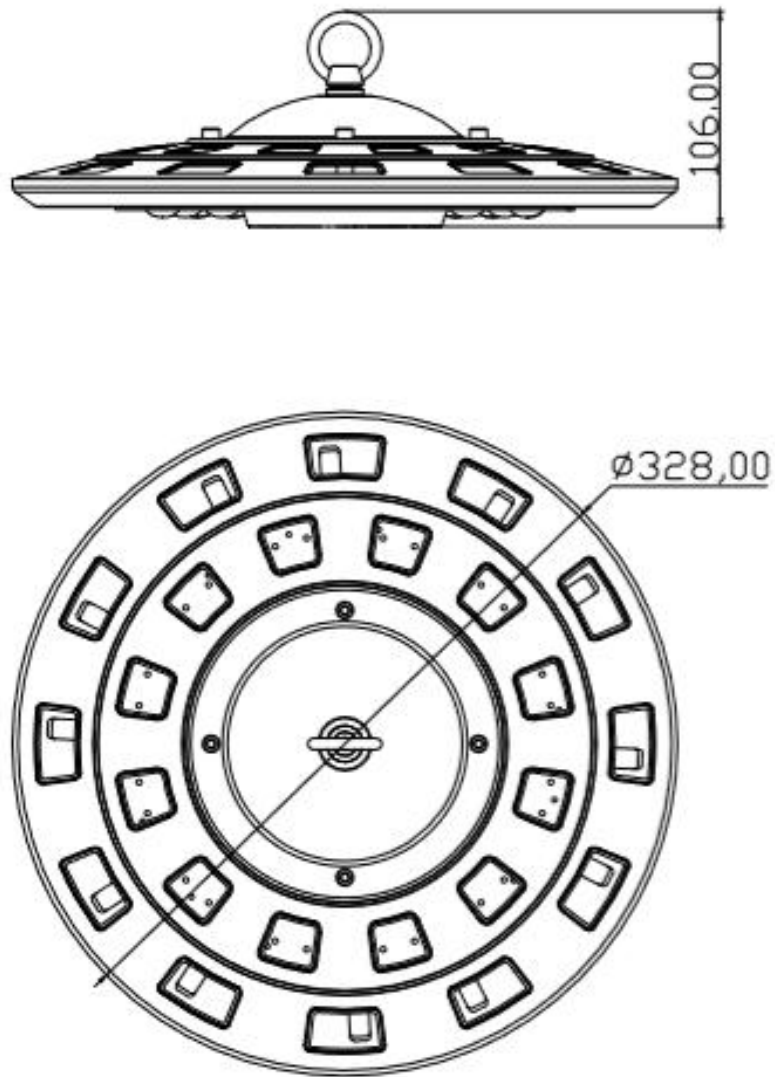
Applications:

Tunnel, Factory, gym, dock, warehouse,workshop,etc

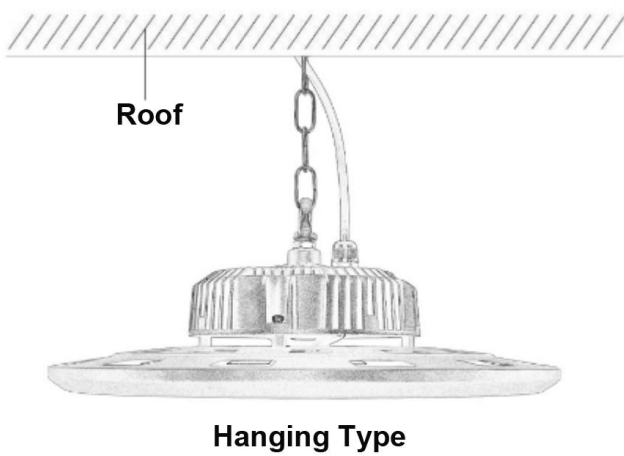
MAIN SPECIFICATIONS (T=26°C)

NUMBER	ITEM	DESCRIPTION
01	Input Voltage	AC220-240V 50~60Hz
02	LED	SMD2835 200 pcs
03	Power	150W
04	LED Efficiency	80-85Lm/W
05	Initial Flux	>12600Lm (Cool White) >12300Lm (Natural White) >12000Lm (Warm White)
06	Power factor	>0.9
07	Color	Warm White/Natural White/Cool White
08	Color Temperature	2700-3300K Warm White 4000-4500K Natural White 6000-6500K Cool White
09	CRI	>70
10	Beam Angle	60°/90°/120°
11	Life Time	>50,000 Hours
12	Operating Temperature	-20°C to +45°C
13	Storage Temperature	-25°C to +65°C
14	Connect Wire	Brown (L) Blue (N) Yellow/Green (G)
15	Certifications	CE, RoHS
16	Packing	6 pcs/ctn;7 kg/ctn;70*38.5*35.5 cm
17	Size	Ø328*106mm
18	IP Code	IP65
19	Warranty	2 years

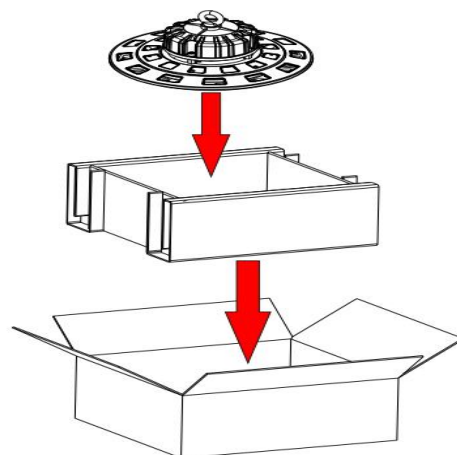
Drawing:



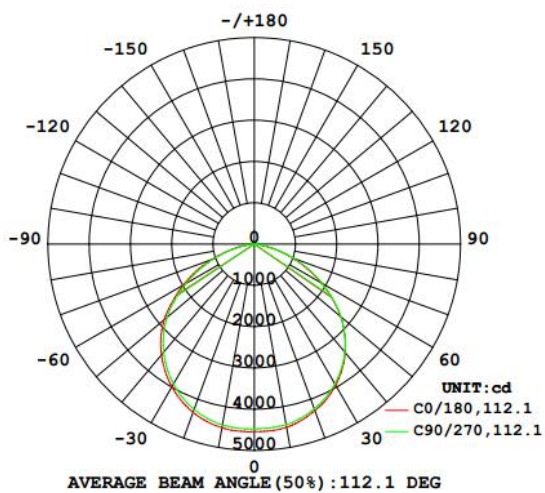
Installation:



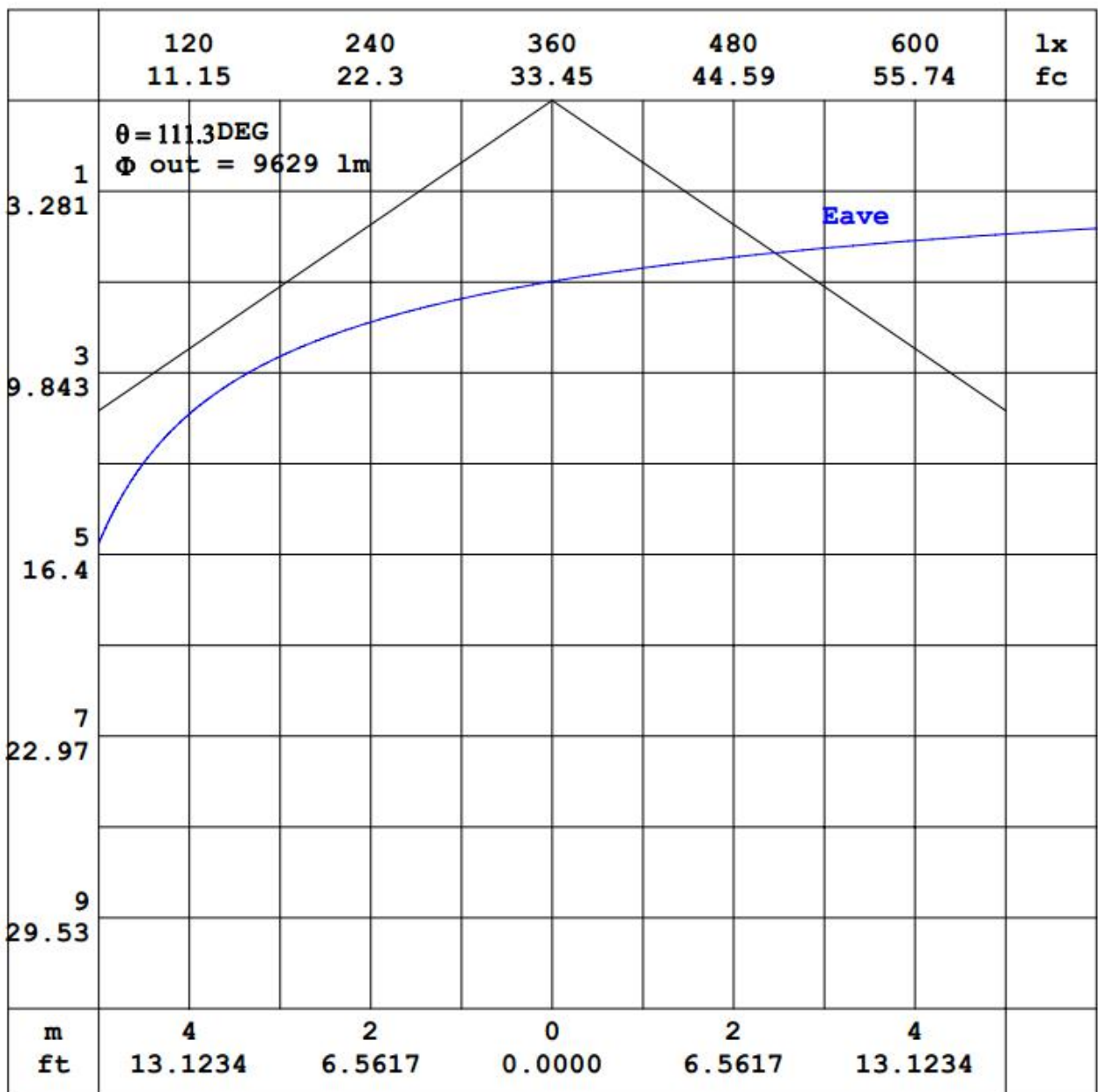
Package:



Light distribution graph :



AAI CURVES :



LED Lumen Attenuation :

Operating time(hours)	Lumen decrease(%)
5,000	2.4
10,000	5.2
20,000	11.3
50,000	24.5

Notes 说明:

1. All dimension units are millimeters.
2. All dimension tolerance is $\pm 0.5\text{mm}$ unless otherwise noted.

Safety Notice for Using:

- ◆ Please always use the light out of its package.
- ◆ Before starting use of the light, please check if the light was damaged during transportation. If any damage shown, please DO not install or use it.
- ◆ Any maintenance should be performed by trained professionals only.
- ◆ Keep packaging materials away from the reach of children and pets. Risks of suffocation!
- ◆ Caution. The packaging contains small parts that may be swallowed by children.
- ◆ Never leave children unattended in the vicinity of the lights and do not allow them to play with electrical devices.
- ◆ Try to avoid looking directly in the LED beam-especially for extended periods of time. Do not shine the LED light in another person's eyes.
- ◆ Never cover the light by other objects.
- ◆ The products need to re-repair, inspection or special treatment of retirement after service time.

Maintenance:

- ◆ Prior to cleaning the light, make sure it has been disconnected from the power supply.
- ◆ Use a dry or slightly moistened cloth for cleaning.
- ◆ Never use any chemicals or abrasives for cleaning.

Proposal :

Used electronic devices must be collected for recycling and can not be deposited together with daily garbage.

Installation:

- ◆ This product should be installed by trained electricians.
- ◆ Check integrity of the products when unpack the packing.
- ◆ When laying the cables, make sure that the cables and plugs are not subjected to any tensile or twisting forces. Fit the cable tension relieving mechanisms to the connection points of the surface-mounted lights. Do not kink cables. Output cables should be laid separately and at a distance from other cables.
- ◆ Proceed by connecting the wiring cables to the luminaries. Usually, the brown(or black) wire is the live wire, connect it with the terminal marked “L”. The blue wire is Naughty wire, connect it with the terminal marked “N”.
- ◆ Used only the LED driver included, and do not connect the surface-mounted lights to other loads.
- ◆ Do not remove the name plate of the power supply and driver of the light.

Notes:

Non-professionals are not allowed to disassemble and maintain the products. We have the right not to provide after-sale service if unauthorized disassembly and maintenance happens to the products.



NOBLE LIGHTING TECHNOLOGY CO.,LIMITED

Add:No.2,Industrial One Road,Cao'san Village,Guzhen Town,Zhongshan,China

Tel:86-760-22289305 Mob:86-13169886342 Fax:86-760-22289305

Http://www.noble-light.com E-mail:info@noble-light.com