



# HAD Series

## CONDENSATE AUTO DRAINS

FOR REMOVAL OF LIQUID CONDENSATE DRYING SYSTEM



All condensate produced by air drying needs to be handled properly because it is a dirty mixture containing water, air compressor oil, dirt and rust. Due to the constant changes of atmospheric conditions, production load and air compressor conditions, solenoid valves or manual discharge valves are not suitable for use in most cases. Because these methods are easy to cause huge waste of energy or a large amount of water leakage in the filter due to improper adjustment.

**Condensate must be drained frequently, and typical condensate drains tend to lose valuable compressed air.**

On the market, there are several types of auto drains for your choice, when you selecting a condensate drain, factors such as potential air loss, energy consumption and maintenance frequency are essential to running the most efficient compressed air system.

In order to extend the service life and improve energy saving efficiency, it is recommended to adopt the YUKA-HAD series zero air loss drains. We could supply 3 sizes of mechanical float drains what are compact and highly reliable for industrial compressed air treatment applications, uses the relationship between buoyancy and pressure to control condensate discharge, which is cost-effective and effective, zero-loss option. This style drain does not require an electric power source or manual calibration for installation, therefore reduce the waste of compressed air has a positive effect on the efficiency of the whole system. However, one may need to manually service the drain to remove large particles within the internal strainer.



Stainless steel float ball inside HAD20B



Mixed lubricated oil pollutants inside the drain body



Nipple matched to balance the air pressure



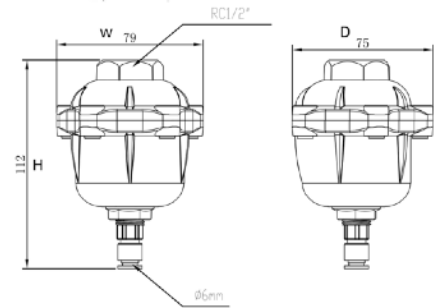
Stainless steel manual drain valve for discharge



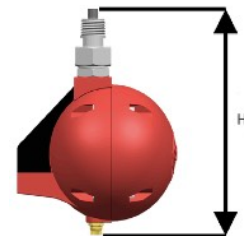
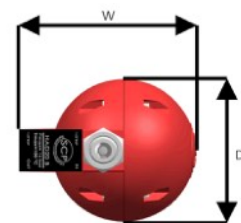
Outlet for venting

## Technical Data

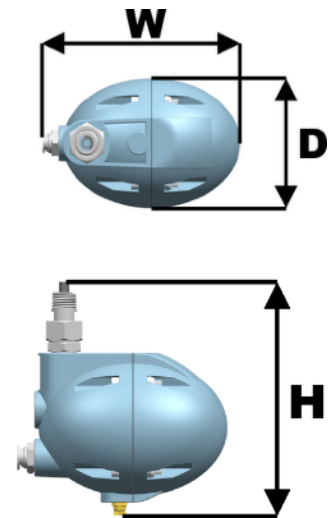
Description	Automatic Drain
Auto drain type	Float type
Model	HAD10B
Operating temperature range	1.5-85 °C
Proof pressure	16 bar
Max.Operating pressure	10 bar
Largest discharge capacity (at 7 bar)	84 l/h
Initial Discharge value	22 mL
Mass	0.13 kg
Inlet/outlet connection	Rc1/2", $\phi$ 6 (mm)
Medium	Condensate (air, water, oil)
Measurment W*D*H (mm)	79*79*112



Description	Automatic Drain
Auto drain type	Float type
Model	HAD20B
Operating temperature range	1.5-100 °C
Proof pressure	16 bar
Max.Operating pressure	10 bar with manual drain valve
Largest discharge capacity (at 7 bar)	400 l/h
Initial Discharge value	72-75 mL
Mass	0.5 kg
Inlet/outlet connection	Rc1/2",Rc1/2"
Medium	Condensate (air, water, oil)
Measurment W*D*H (mm)	134*108*180



Description	Automatic Drain
Auto drain type	Float type
Model	HAD30B
Operating temperature range	1.5-85 °C
Max.Operating pressure	20 bar without manual drain valve
Max.Operating pressure	13 bar with manual drain valve
Largest discharge capacity (at 7 bar)	800 l/h
Initial Discharge value	91-93 mL
Mass	1.1 kg
Inlet/outlet connection	Rc1/2", Rc1/2"
Medium	Condensate (air, water, oil)
Measurement W*D*H (mm)	172*107*180



## Applications for Automatic Drains

- For the air compressor itself.
- Installed on the air compressor after cooler.
- Install on the buffer tank / surge tank.
- Installed on the coalescing pre-filter element for coarse filtration.
- Installed on the cold spot or outlet of the refrigerated dryer.
- Installed on the outlet of the desiccant dryer.

## Features

- Zero air/gas loss
- Buoyancy and pressure control minimize costly compressed air loss.
- A low velocity condensate outlet ensures that no emulsion is created.
- No need for electrical wiring, as no power supply is required.
- Manual drain valve for discharge and operational check fitted as standard.

# OEM Capabilities

When you need a special filter for a unique application, HSAir experts are ready to work with you. We can tailor a configuration to meet your special need from the wide variety of filter media available. In addition, with LEAN manufacturing, we can produce specials in reasonable quantities, in a reasonable amount of time, at a reasonable price. Not only will this enhance the performance of your product, but it will benefit you with aftermarket sales of replacement elements.

## OUR RANGES OF PRODUCTS INCLUDE THE FOLLOWING:

- Compressed air dryers
- Compressed air filters
- Compressed air water separators
- Alternative air filter elements
- Condensate auto drain
- Compressed air accessories
- Portable mask



Since 1998, a leading manufacturer of quality compressed air treatment in China



## HENG SHENG FILTRATION CO.,LTD

Unit 1405A 14/F, The Belgian Bank Building, Nos. 721-725 Nathan Road, Mongkok, Kowloon. HK, China

MP: 86-15013664809

[Http://www.hsfiltration.com](http://www.hsfiltration.com)

[sales@hsfiltration.com](mailto:sales@hsfiltration.com)