

User Manual

HDMI2.1 2X1 SWITCH

4K@120Hz 4:4:4 8bit VRR ALLM
Dolby Vision, Dolby Atmos
SONOS ARC/eARC
TV ARC/eARC

SW21H21A-EO

Make Installation Easy

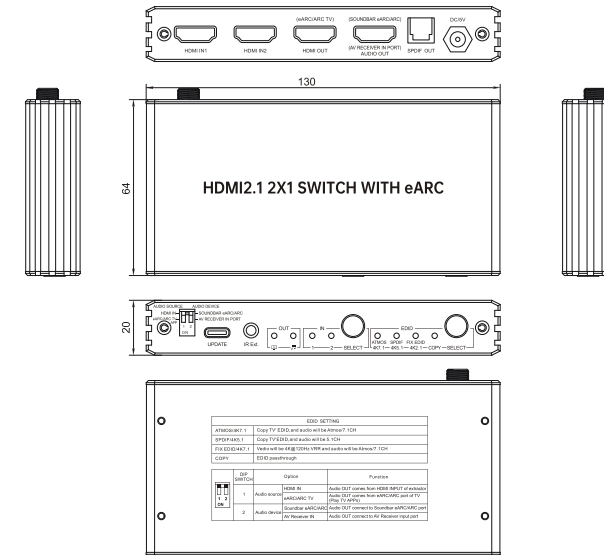
OVERVIEW

SW21H21A-EO is a 2x1 HDMI2.1 switch with Ultra HD 4K@120Hz support. It supports HDMI 2.1 specification features including data rates up to 4K@120Hz 4:4:4 8bit, VRR, ALLM, HDR and HDCP2.3, Deep Color, 3D, Lip Sync, and HD lossless Audio/Video formats. And Audio DE-embed, Optical Audio out without TV connected. And the product can use for SONOS ARC/eARC, OR TV ARC/eARC, OR HDMI2.1/HDMI2.0 AV receiver.

FEATURES

- Supports HDMI 2.1 4K@120Hz 4:4:4 8bit HDR, HDCP 2.3
- Supports Dolby Vision, VRR, ALLM, Dolby Atmos
- Supports EDID copy, multiple EDID setting for compatibility
- Supports 3D, Support deep color 30bit, 36bit
- Supports Blue-Ray 24/50/60fs/HD-DVD/xvYCC
- Supports HDMI signal re-timing, never lose quality
- Plug and Play; No driver required; Installs in minutes
- HDMI OUT1 support CEC ('AUDIO SOURCE(DIP1)' MUST SET TO 'HDMI IN')
- HDMI OUT1 support TV eARC/ARC ('AUDIO SOURCE (DIP1)' MUST SET TO 'eARC/ARC TV APP')
- HDMI OUT2 support soundbar eARC/ARC ('AUDIO DEVICE(DIP2)' MUST SET TO 'soundbar eARC/ARC')
- HDMI OUT2 support AV receiver ('AUDIO DEVICE(DIP2)' MUST SET TO 'AV RECEIVER IN PORT')

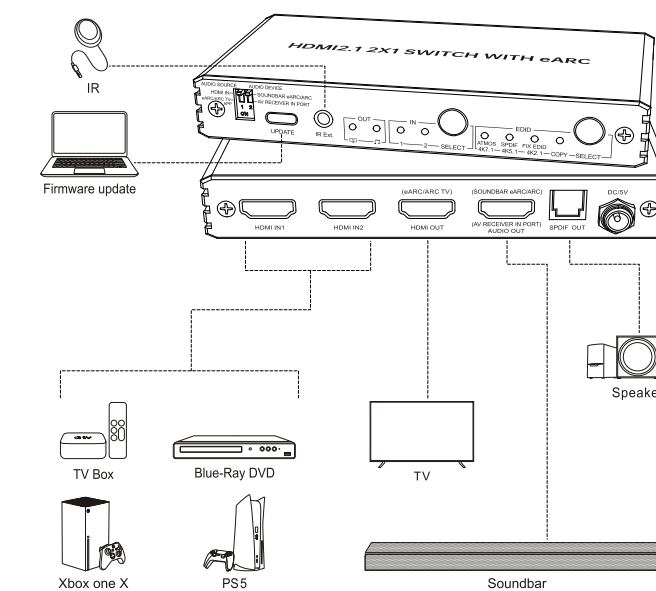
PRODUCT DIAGRAM



Package Accessories:

- HDMI Switch x1
- Power adapter x1
- Reusable Cable Tie x2
- User Manual x1
- IR remote control x1
- IR extender cable x1

INSTALLATION



1. Connect HDMI2.1 cable(<3M) from HDMI source devices to HDMI switch inputs.
2. Connect HDMI2.1 cable(<3M) from display (monitor or projector) to the HDMI switch output.
3. Connect HDMI2.1 cable(<3M) from the HDMI switch Audio output to AV receiver HDMI IN OR Soundbar ARC/eARC port.
4. Connect the power adapter into the HDMI switch.

EDID SETTING

EDID SETTING	
ATMOS/4K7.1	Copy TV'EDID, and audio will be Atmos/7.1CH
SPDIF/4K5.1	Copy TV'EDID, and audio will be 5.1CH
FIX EDID/4K7.1	Video will be 4K@120Hz VRR and audio will be Atmos/7.1CH
COPY	EDID passthrough

AUDIO SETTING

DIP SWITCH	Option	Function
1	Audio source	HDMI IN Audio OUT comes from HDMI INPUT of extractor
	eARC/ARC TV	Audio OUT comes from eARC/ARC port of TV(Play TV APPs)
2	Audio device	Soundbar eARC/ARC Audio OUT connect to Soundbar eARC/ARC port
	AV Receiver IN	Audio OUT connect to AV Receiver input port

SPECIFICATIONS

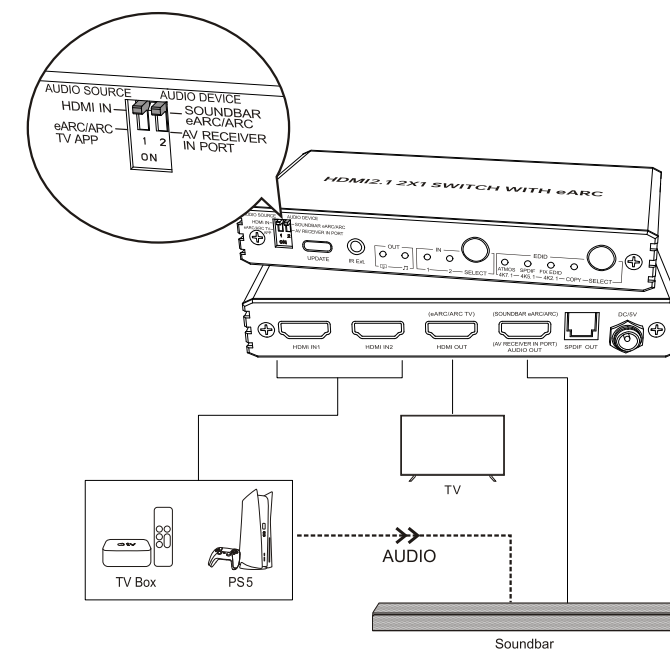
HDMI version	HDMI 2.1	HDCP version	HDCP 2.3
HDMI resolution	8k/4K/1080p/1080i/720p/576p/576i/480p/480i	Video format	24bit/30bit/36bit
Audio format	Dolby true HD/DTS-HD/DTS5.1/Dolby AC3/DSD/Dolby Atmos		
Input/Output TMDs signal	0.5~1.5Volts p-p(TTL)	Max working current	2A
Input/Output DDC signal	5Volts p-p (TTL)	Operating Humidity range	5 to 90%RH (No Condensation)
Power adapter format	Input AC 100V-240V/50HZ,60HZ; Output: 5V2A	Operating Temperature range	(-15 to +55°C)
Dimension (LxWxH)	130*64*20 (mm)	Weight	150g

USING TIPS

- Re-powering and unplugging the HDMI cable is a common troubleshooting method.
- Please use qualified or brand-new HDMI 2.1 standard cable less than 3 meter.
- SPDIF can only support up to 5.1 (no Atmos) if you need 7.1 or Atmos, please use HDMI OUT
- If use eARC/ARC function, please make sure your TV and soundbar support eARC/ARC.

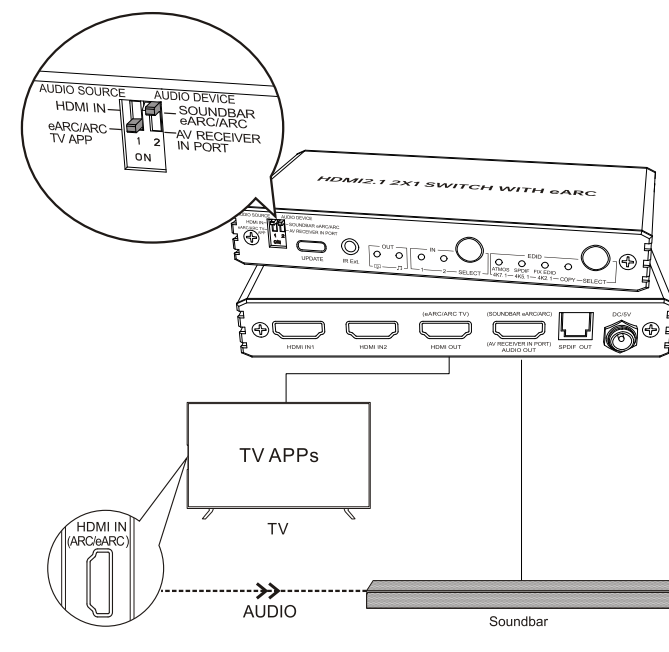
Soundbar mode AUDIO DEVICE: SET TO "SOUNDBAR eARC/ARC" AUDIO SOURCE: SET TO "HDMI IN"

-----Audio source will be PS5 or APPLE TV



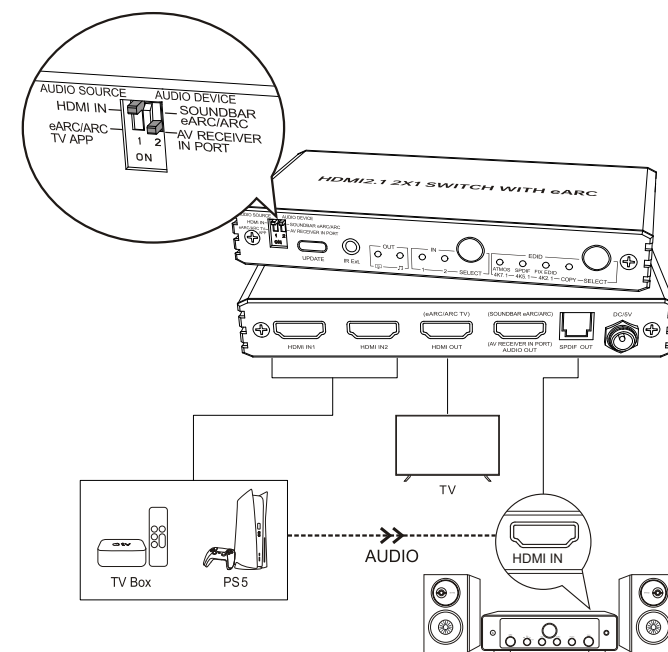
Soundbar mode AUDIO DEVICE: SET TO "SOUNDBAR eARC/ARC" AUDIO SOURCE: SET TO "eARC/ARC TV APP"

-----Audio source will be TV APPs



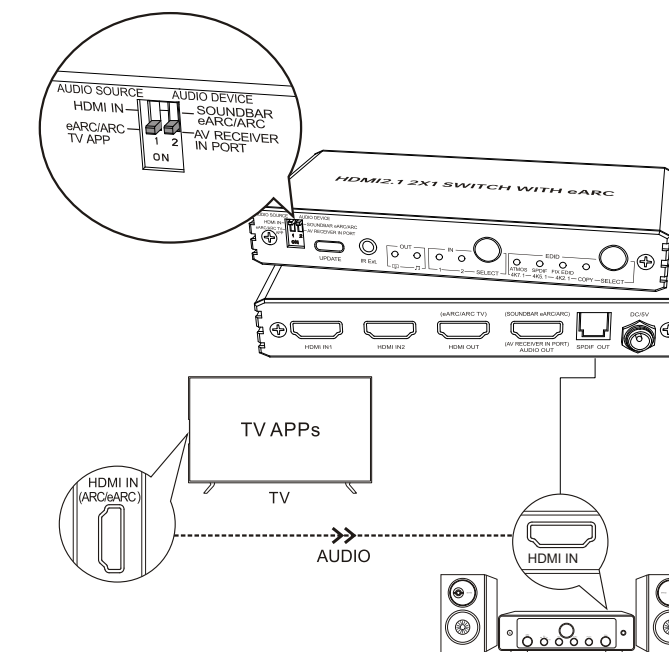
AV Receiver Mode AUDIO DEVICE: SET TO "AV RECEIVER IN PORT" AUDIO SOURCE: SET TO "HDMI IN"

-----Audio source will be PS5 or APPLE TV



AV Receiver Mode AUDIO DEVICE: SET TO "AV SWITCH RECEIVER IN PORT" AUDIO SOURCE: SET TO "eARC/ARC TV APP"

-----Audio source will be TV APPs



NOTES

Please use this machine based on below instructions to keep longer lifetime.

1. The machine should be placed at the spot far away from the Damp, High-Temperature, Dusty, Erosive, and Oxidant environment.
2. All parts will be free from the strong shake, hit, fall.
3. Touching the device with the wet hands is prohibited.
4. Please turn power off when machine is not used for long time.
5. Please do not open the cover and do not touch the inside parts.
6. Please use the original factory power adaptor.
7. Before power on, please check the connection cable carefully. And make sure that all interfaces are normally connected.

CONTACTS

When you need any technical assistance, please send e-mail to lawn@greatprospe.com
Visit to learn more.
www.greatprospe.com

User Manual

lawn@greatprospe.com
www.greatprospe.com