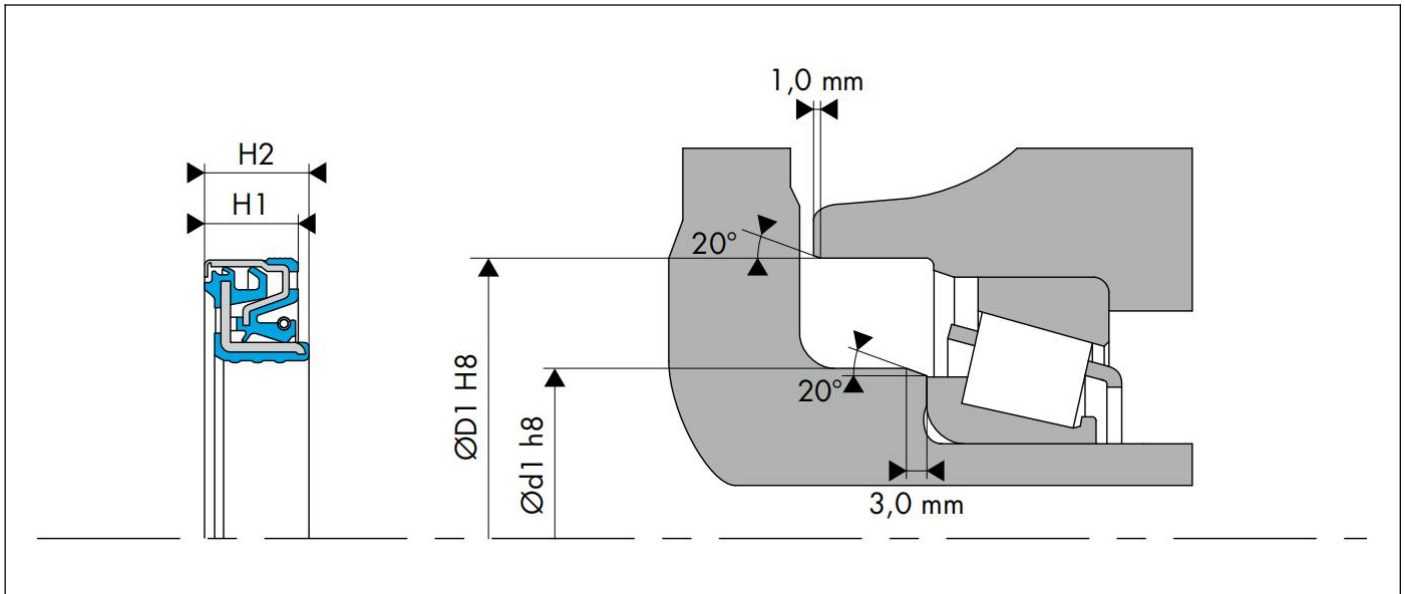


CASSETTE SEALS

1. Description

Cassette seals are reliable rotary sealing solutions that are effective against multiple heavy-duty pollutants, such as dust, jets of water, mud and stones, UV rays, aggressive fluids, etc. Internal dynamic and static sealing systems provide ultimate protection from any external soiling and contamination that will otherwise compromise application performances and adversely affect vehicle reliability. Each cassette seal consists of an oil seal and a sleeve, which have been unitized. Labyrinth seal technology protects them from external soiling.

2. Installation Recommendation



3. Standard materials

NBR

4. Installation Dimensions

Inner Diam.	Outer Diam.	Height	Order No.
45	70	14/17	cassette45*70*14/17
56	80	13/14.5	cassette56*80*13/14.5
65	92	10/15	cassette65*92*10/15
70	95	13/14.5	cassette70*95*13/14.5
75	100	13/14.5	cassette75*100*13/14.5
85	110	13/14.5	cassette85*110*13/14.5
110	140	14.5/16	cassette110*140*14.5/16
127	160	15.5/17.5	cassette127*160*15.5/17.5
136.8	165	13	cassette136.8*165*13
147	170	15.5/16	cassette147*170*15.5/16
148	170	14	cassette148*170*14
145	175	14.5/15.5	cassette145*175*14.5/15.5
145	189	15.5/17	cassette145*189*15.5/17

CASSETTE SEALS



Inner Diam.	Outer Diam.	Height	Order No.
150.15	178	13/16	cassette150.15*178*13/16
150	180	14.5/16	cassette150*180*14.5/16
155	190	17.5/19	cassette155*190*17.5/19
165	195	16.5/18	cassette165*195*16.5/18
167.8	198	15.5/16	cassette167.8*198*15.5/16
189.8	230	15.5/17	cassette189.8*230*15.5/17
190	220	16/18	cassette190*220*16/18
210	240	16/18	cassette210*240*16/18