

OIL SEALS

OIL SEALS SELECTION



TC OIL SEAL



SC OIL SEAL



TG OIL SEAL



TB OIL SEAL



DC OIL SEAL



HTCL OIL SEAL



CASSETTE OIL SEAL



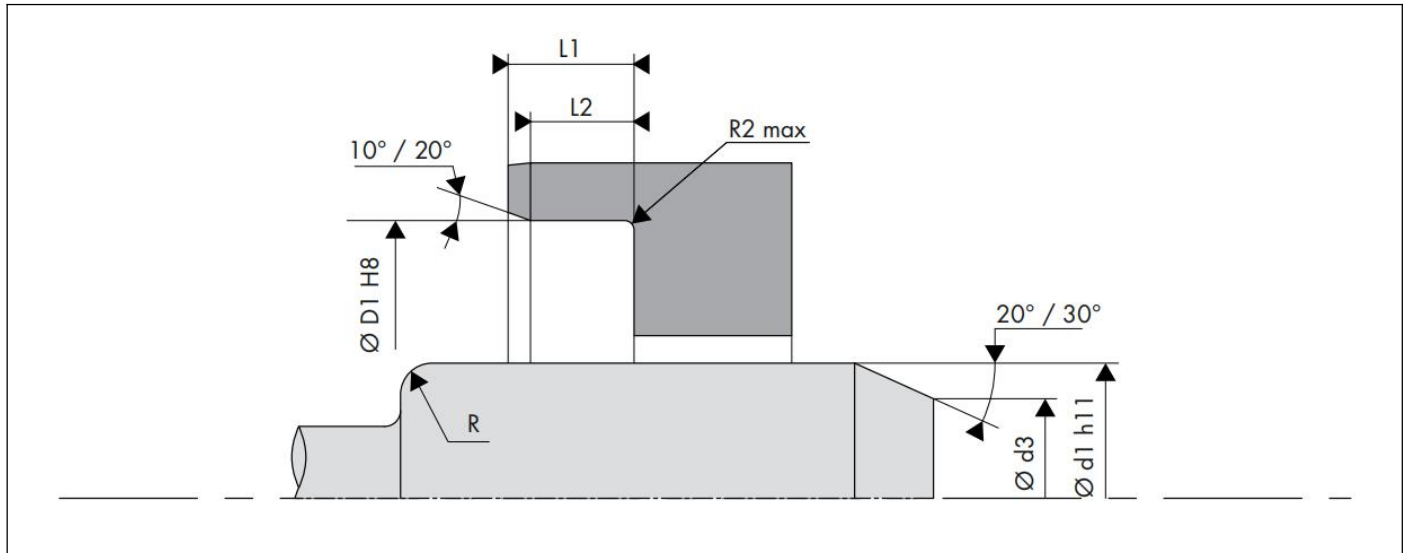
COMBI OIL SEAL



1. Description

The TC profile is a shaft seal composed of a single metal cage with a rubber coating, a primary sealing lip with integrated spring and an additional anti-pollution lip.

2. Installation Recommendation



3. Standard materials

NBR, FKM

4. Installation Dimensions

Inner Diam.	Outer Diam.	Height	Order No.	Inner Diam.	Outer Diam.	Height	Order No.
7	22	8	TC7*22*8	10	22	5	TC10*22*5
8	14	4.5	TC8*14*4.5	10	22	8	TC10*22*8
8	14	5	TC8*14*5	10	25	5	TC10*25*5
8	15	5	TC8*15*5	10	25	7	TC10*25*7
8	15	8	TC8*15*8	10	25	8	TC10*25*8
8	16	8	TC8*16*8	10	25	10	TC10*25*10
8	22	7	TC8*22*7	10	26	7	TC10*26*7
8	22	8	TC8*22*8	10	26	8	TC10*26*8
9	14	5	TC9*14*5	12	19	5	TC12*19*5
9	22	7	TC9*22*7	12	20	5	TC12*20*5
9	26	7	TC9*26*7	12	21	5	TC12*21*5
10	17	5	TC10*17*5	12	21	7	TC12*21*7
10	18	7	TC10*18*7	12	22	5	TC12*22*5
10	19	5	TC10*19*5	12	22	6	TC12*22*6
10	20	5	TC10*20*5	12	22	7	TC12*22*7
10	20	7	TC10*20*7	12	22	8	TC12*22*8
10	20	8	TC10*20*8	12	24	7	TC12*24*7

TC SEALS



Inner Diam.	Outer Diam.	Height	Order No.	Inner Diam.	Outer Diam.	Height	Order No.
12	25	5	TC12*25*5	15	35	10	TC15*35*10
12	25	8	TC12*25*8	15	40	10	TC15*40*10
12	25	10	TC12*25*10	15	42	7	TC15*42*7
12	26	7	TC12*26*7	16	24	5	TC16*24*5
12	26	8	TC12*26*8	16	26	7	TC16*26*7
12	28	7	TC12*28*7	16	26	8	TC16*26*8
12	28	8	TC12*28*8	16	28	5	TC16*28*5
12	30	7	TC12*30*7	16	28	7	TC16*28*7
12	32	5	TC12*32*5	16	28	8	TC16*28*8
12	32	7	TC12*32*7	16	30	7	TC16*30*7
12	32	10	TC12*32*10	16	30	8	TC16*30*8
14	22	5	TC14*22*5	16	30	10	TC16*30*10
14	24	7	TC14*24*7	16	32	7	TC16*32*7
14	25	7	TC14*25*7	16	35	7	TC16*35*7
14	27	7	TC14*27*7	16	35	8	TC16*35*8
14	28	5	TC14*28*5	16	35	10	TC16*35*10
14	28	7	TC14*28*7	16	40	10	TC16*40*10
14	28	8	TC14*28*8	17	25	7	TC17*25*7
14	30	7	TC14*30*7	17	28	7	TC17*28*7
14	30	8	TC14*30*8	17	30	5	TC17*30*5
14	30	10	TC14*30*10	17	30	7	TC17*30*7
14	35	7	TC14*35*7	17	30	8	TC17*30*8
14	35	8	TC14*35*8	17	30	10	TC17*30*10
14	35	10	TC14*35*10	17	32	5	TC17*32*5
15	24	7	TC15*24*7	17	32	7	TC17*32*7
15	25	5	TC15*25*5	17	35	7	TC17*35*7
15	25	7	TC15*25*7	17	35	8	TC17*35*8
15	26	7	TC15*26*7	17	35	10	TC17*35*10
15	28	5	TC15*28*5	17	40	7	TC17*40*7
15	28	7	TC15*28*7	17	40	8	TC17*40*8
15	30	5	TC15*30*5	17	40	10	TC17*40*10
15	30	7	TC15*30*7	17	47	10	TC17*47*10
15	30	8	TC15*30*8	18	28	5	TC18*28*5
15	30	10	TC15*30*10	18	28	7	TC18*28*7
15	32	5	TC15*32*5	18	28	7.5	TC18*28*7.5
15	32	7	TC15*32*7	18	30	7	TC18*30*7
15	35	5	TC15*35*5	18	30	8	TC18*30*8
15	35	7	TC15*35*7	18	30	10	TC18*30*10

TC SEALS



Inner Diam.	Outer Diam.	Height	Order No.	Inner Diam.	Outer Diam.	Height	Order No.
18	32	5	TC18*32*5	20	42	5	TC20*42*5
18	32	7	TC18*32*7	20	42	7	TC20*42*7
18	35	8	TC18*35*8	20	42	8	TC20*42*8
18	35	10	TC18*35*10	20	42	10	TC20*42*10
18	40	8	TC18*40*8	20	45	7	TC20*45*7
18	40	10	TC18*40*10	20	45	8	TC20*45*8
18	45	10	TC18*45*10	20	45	10	TC20*45*10
18	47	10	TC18*47*10	20	47	5	TC20*47*5
19	28	7	TC19*28*7	20	47	7	TC20*47*7
19	30	7	TC19*30*7	20	47	8	TC20*47*8
19	30	10	TC19*30*10	20	47	10	TC20*47*10
19	32	7	TC19*32*7	20	47	12	TC20*47*12
19	32	10	TC19*32*10	20	50	5	TC20*50*5
19	35	7	TC19*35*7	20	50	8	TC20*50*8
19	35	10	TC19*35*10	20	50	10	TC20*50*10
19	40	7	TC19*40*7	20	52	7	TC20*52*7
19	40	10	TC19*40*10	20	52	8	TC20*52*8
19	47	10	TC19*47*10	20	52	10	TC20*52*10
20	27	5	TC20*27*5	22	32	7	TC22*32*7
20	28	5	TC20*28*5	22	32	10	TC22*32*10
20	28	6	TC20*28*6	22	35	7	TC22*35*7
20	30	5	TC20*30*5	22	35	10	TC22*35*10
20	30	7	TC20*30*7	22	38	8	TC22*38*8
20	30	8	TC20*30*8	22	38	10	TC22*38*10
20	30	10	TC20*30*10	22	40	7	TC22*40*7
20	32	5	TC20*32*5	22	40	8	TC22*40*8
20	32	7	TC20*32*7	22	40	10	TC22*40*10
20	34	7	TC20*34*7	22	42	7	TC22*42*7
20	35	5	TC20*35*5	22	42	8	TC22*42*8
20	35	7	TC20*35*7	22	42	10	TC22*42*10
20	35	8	TC20*35*8	22	45	7	TC22*45*7
20	35	10	TC20*35*10	22	45	8	TC22*45*8
20	38	8	TC20*38*8	22	45	10	TC22*45*10
20	38	10	TC20*38*10	22	47	7	TC22*47*7
20	40	5	TC20*40*5	22	47	10	TC22*47*10
20	40	7	TC20*40*7	22	48	8	TC22*48*8
20	40	8	TC20*40*8	22	48	10	TC22*48*10
20	40	10	TC20*40*10	22	50	10	TC22*50*10

TC SEALS



Inner Diam.	Outer Diam.	Height	Order No.	Inner Diam.	Outer Diam.	Height	Order No.
22	52	5	TC22*52*5	25	44	10	TC25*44*10
22	52	10	TC22*52*10	25	45	5	TC25*45*5
23	37	7	TC23*37*7	25	45	7	TC25*45*7
23	47	7	TC23*47*7	25	45	8	TC25*45*8
23	47	8	TC23*47*8	25	45	10	TC25*45*10
23	47	10	TC23*47*10	25	45	12	TC25*45*12
23	50	5	TC23*50*5	25	47	5	TC25*47*5
24	40	7	TC24*40*7	25	47	7	TC25*47*7
24	40	10	TC24*40*10	25	47	8	TC25*47*8
24	42	7	TC24*42*7	25	47	10	TC25*47*10
24	42	10	TC24*42*10	25	50	5	TC25*50*5
24	45	10	TC24*45*10	25	50	7	TC25*50*7
24	47	7	TC24*47*7	25	50	8	TC25*50*8
24	47	10	TC24*47*10	25	50	10	TC25*50*10
24	58	12	TC24*58*12	25	50	12	TC25*50*12
25	31	7	TC25*31*7	25	52	5	TC25*52*5
25	32	4	TC25*32*4	25	52	7	TC25*52*7
25	33	7	TC25*33*7	25	52	8	TC25*52*8
25	34	7	TC25*34*7	25	52	10	TC25*52*10
25	35	5	TC25*35*5	25	52	12	TC25*52*12
25	35	6	TC25*35*6	25	55	10	TC25*55*10
25	35	7	TC25*35*7	25	60	10	TC25*60*10
25	35	10	TC25*35*10	25	60	12	TC25*60*12
25	36.5	7	TC25*36.5*7	25	62	5	TC25*62*5
25	37	7	TC25*37*7	25	62	8	TC25*62*8
25	38	7	TC25*38*7	25	62	10	TC25*62*10
25	38	8	TC25*38*8	25	62	12	TC25*62*12
25	38	10	TC25*38*10	26	34	6	TC26*34*6
25	40	5	TC25*40*5	26	35	7	TC26*35*7
25	40	7	TC25*40*7	26	37	7	TC26*37*7
25	40	8	TC25*40*8	26	38	7	TC26*38*7
25	40	10	TC25*40*10	26	42	6.5	TC26*42*6.5
25	41	10	TC25*41*10	26	47	10	TC26*47*10
25	41.25	6	TC25*41.25*6	26	48	8	TC26*48*8
25	42	7	TC25*42*7	26	52	8	TC26*52*8
25	42	8	TC25*42*8	26	55	10	TC26*55*10
25	42	9	TC25*42*9	27	35	7	TC27*35*7
25	42	10	TC25*42*10	27	37	7	TC27*37*7

TC SEALS



Inner Diam.	Outer Diam.	Height	Order No.	Inner Diam.	Outer Diam.	Height	Order No.
27	37	7	TC27*37*7	28	50	12	TC28*50*12
27	38	7	TC27*38*7	28	52	8	TC28*52*8
27	38	10	TC27*38*10	28	52	10	TC28*52*10
27	39	10.5	TC27*39*10.5	28	52	12	TC28*52*12
27	40	7	TC27*40*7	28	55	7	TC28*55*7
27	42	7	TC27*42*7	28	55	10	TC28*55*10
27	42	10	TC27*42*10	28	55	11	TC28*55*11
27	47	7	TC27*47*7	28	56	10	TC28*56*10
27	52	10	TC27*52*10	28	62	10	TC28*62*10
28	35	7	TC28*35*7	29	43	7	TC29*43*7
28	37	4	TC28*37*4	29	62	10	TC29*62*10
28	37	7	TC28*37*7	29.5	40	10	TC29.5*40*10
28	38	8	TC28*38*8	30	40	7	TC30*40*7
28	38	10	TC28*38*10	30	40	10	TC30*40*10
28	40	7	TC28*40*7	30	40	11	TC30*40*11
28	40	8	TC28*40*8	30	42	4.5	TC30*42*4.5
28	40	10	TC28*40*10	30	42	7	TC30*42*7
28	42	7	TC28*42*7	30	42	8	TC30*42*8
28	42	8	TC28*42*8	30	42	10	TC30*42*10
28	42	10	TC28*42*10	30	42	11	TC30*42*11
28	45	7	TC28*45*7	30	44	8	TC30*44*8
28	45	8	TC28*45*8	30	44	10	TC30*44*10
28	45	10	TC28*45*10	30	45	5	TC30*45*5
28	47	7	TC28*47*7	30	45	7	TC30*45*7
28	47	8	TC28*47*8	30	45	8	TC30*45*8
28	48	10	TC28*48*10	30	45	10	TC30*45*10
28	47	11	TC28*47*11	30	45	12	TC30*45*12
28	48	4	TC28*48*4	30	46	7	TC30*46*7
28	48	8	TC28*48*8	30	46	10	TC30*46*10
28	49	8	TC28*49*8	30	47	5	TC30*47*5
28	50	7	TC28*50*7	30	47	7	TC30*47*7
28	50	8	TC28*50*8	30	47	8	TC30*47*8
28	50	10	TC28*50*10	30	47	10	TC30*47*10
28	50	12	TC28*50*12	30	47	12	TC30*47*12
28	52	8	TC28*52*8	30	48	8	TC30*48*8
28	52	10	TC28*52*10	30	48	10	TC30*48*10
28	52	12	TC28*52*12	30	50	5	TC30*50*5
28	50	10	TC28*50*10	30	50	7	TC30*50*7

TC SEALS



Inner Diam.	Outer Diam.	Height	Order No.	Inner Diam.	Outer Diam.	Height	Order No.
30	50	8	TC30*50*8	32	42	8	TC32*42*8
30	50	10	TC30*50*10	32	42	10	TC32*42*10
30	50	12	TC30*50*12	32	43	7	TC32*43*7
30	52	5	TC30*52*5	32	43	10	TC32*43*10
30	52	7	TC30*52*7	32	44	7	TC32*44*7
30	52	8	TC30*52*8	32	44	8	TC32*44*8
30	52	10	TC30*52*10	32	44	10	TC32*44*10
30	52	12	TC30*52*12	32	45	7	TC32*45*7
30	54	9	TC30*54*9	32	45	8	TC32*45*8
30	55	5	TC30*55*5	32	45	10	TC32*45*10
30	55	7	TC30*55*7	32	47	7	TC32*47*7
30	55	8	TC30*55*8	32	47	8	TC32*47*8
30	55	10	TC30*55*10	32	47	10	TC32*47*10
30	55	12	TC30*55*12	32	48	8	TC32*48*8
30	56	8	TC30*56*8	32	48	10	TC32*48*10
30	56	10	TC30*56*10	32	50	7	TC32*50*7
30	56	12	TC30*56*12	32	50	8	TC32*50*8
30	58	8	TC30*58*8	32	50	10	TC32*50*10
30	58	10	TC30*58*10	32	50	12	TC32*50*12
30	58	12	TC30*58*12	30	60	8	TC30*60*8
30	60	8	TC30*60*8	30	60	10	TC30*60*10
30	60	10	TC30*60*10	30	60	12	TC30*60*12
30	60	12	TC30*60*12	30	62	5	TC30*62*5
30	62	5	TC30*62*5	30	62	7	TC30*62*7
30	62	7	TC30*62*7	30	62	8	TC30*62*8
30	62	8	TC30*62*8	30	62	10	TC30*62*10
30	62	10	TC30*62*10	30	62	12	TC30*62*12
30	62	12	TC30*62*12	30	65	10	TC30*65*10
30	65	10	TC30*65*10	30	62	12	TC30*62*12
30	62	12	TC30*62*12	30	68	12	TC30*68*12
30	68	12	TC30*68*12	30	72	5	TC30*72*5
30	72	5	TC30*72*5	30	72	8	TC30*72*8
30	72	8	TC30*72*8	30	72	10	TC30*72*10
30	72	10	TC30*72*10	30	72	12	TC30*72*12
30	72	12	TC30*72*12	32	40.2	10.5	TC32*40.2*10.5
32	40.2	10.5	TC32*40.2*10.5	32	42	5	TC32*42*5
32	42	5	TC32*42*5	32	42	7	TC32*42*7
32	42	7	TC32*42*7	32	42	8	TC32*42*8

TC SEALS



Inner Diam.	Outer Diam.	Height	Order No.	Inner Diam.	Outer Diam.	Height	Order No.
32	42	10	TC32*42*10	33	43	7	TC33*43*7
32	43	7	TC32*43*7	33	54	7	TC33*54*7
32	43	10	TC32*43*10	33	55	10	TC33*55*10
32	44	7	TC32*44*7	33	58	10	TC33*58*10
32	44	8	TC32*44*8	33	58	12	TC33*58*12
32	44	10	TC32*44*10	34	48	8	TC34*48*8
32	45	7	TC32*45*7	34	48	10	TC34*48*10
32	45	8	TC32*45*8	34	50	7	TC34*50*7
32	45	10	TC32*45*10	34	55	12	TC34*55*12
32	47	7	TC32*47*7	35	42	10	TC35*42*10
32	47	8	TC32*47*8	35	45	7	TC35*45*7
32	47	10	TC32*47*10	35	45	8	TC35*45*8
32	48	8	TC32*48*8	35	45	10	TC35*45*10
32	48	10	TC32*48*10	35	46	7	TC35*46*7
32	50	7	TC32*50*7	35	47	7	TC35*47*7
32	50	8	TC32*50*8	35	47	10	TC35*47*10
32	50	10	TC32*50*10	35	48	8	TC35*48*8
32	50	12	TC32*50*12	35	48	10	TC35*48*10
32	52	7	TC32*52*7	35	50	7	TC35*50*7
32	52	8	TC32*52*8	35	50	8	TC35*50*8
32	52	10	TC32*52*10	35	50	10	TC35*50*10
32	52	12	TC32*52*12	35	50	12	TC35*50*12
32	55	7	TC32*55*7	35	52	5	TC35*52*5
32	55	8	TC32*55*8	35	52	7	TC35*52*7
32	55	10	TC32*55*10	35	52	8	TC35*52*8
32	55	12	TC32*55*12	35	52	10	TC35*52*10
32	56	10	TC32*56*10	35	52	12	TC35*52*12
32	56	12	TC32*56*12	35	55	5	TC35*55*5
32	58	12	TC32*58*12	35	55	8	TC35*55*8
32	60	10	TC32*60*10	35	55	10	TC35*55*10
32	60	12	TC32*60*12	35	55	12	TC35*55*12
32	62	8	TC32*62*8	35	56	8	TC35*56*8
32	62	10	TC32*62*10	35	56	10	TC35*56*10
32	62	12	TC32*62*12	35	56	12	TC35*56*12
32	65	10	TC32*65*10	35	57	5	TC35*57*5
32	65	12	TC32*65*12	35	58	8	TC35*58*8
32	72	10	TC32*72*10	35	58	10	TC35*58*10
32	72	12	TC32*72*12	35	58	12	TC35*58*12

TC SEALS



Inner Diam.	Outer Diam.	Height	Order No.	Inner Diam.	Outer Diam.	Height	Order No.
35	60	5	TC35*60*5	37	80	5	TC37*80*5
35	60	8	TC35*60*8	38	48	5	TC38*48*5
35	60	10	TC35*60*10	38	50	7	TC38*50*7
35	60	12	TC35*60*12	38	50	8	TC38*50*8
35	62	5	TC35*62*5	38	50	10	TC38*50*10
35	62	7	TC35*62*7	38	50	12	TC38*50*12
35	62	8	TC35*62*8	38	52	7	TC38*52*7
35	62	10	TC35*62*10	38	52	8	TC38*52*8
35	62	12	TC35*62*12	38	52	10	TC38*52*10
35	62	13	TC35*62*13	38	52	12	TC38*52*12
35	65	8	TC35*65*8	38	54	10	TC38*54*10
35	65	10	TC35*65*10	38	55	8	TC38*55*8
35	65	12	TC35*65*12	38	55	10	TC38*55*10
35	68	10	TC35*68*10	38	55	12	TC38*55*12
35	68	12	TC35*68*12	38	56	8	TC38*56*8
35	70	10	TC35*70*10	38	56	10	TC38*56*10
35	70	12	TC35*70*12	38	56	12	TC38*56*12
35	72	5	TC35*72*5	38	58	8	TC38*58*8
35	72	7	TC35*72*7	38	58	10	TC38*58*10
35	72	8	TC35*72*8	38	58	12	TC38*58*12
35	72	10	TC35*72*10	38	60	8	TC38*60*8
35	72	12	TC35*72*12	38	60	10	TC38*60*10
35	75	12	TC35*75*12	38	60	12	TC38*60*12
35	80	8	TC35*80*8	38	62	5	TC38*62*5
35	80	10	TC35*80*10	38	62	7	TC38*62*7
35	80	12	TC35*80*12	38	62	8	TC38*62*8
35	86	12	TC35*86*12	38	62	10	TC38*62*10
35	89	12	TC35*89*12	38	62	12	TC38*62*12
36	46	7	TC36*46*7	38	65	8	TC38*65*8
36	46	10	TC36*46*10	38	65	10	TC38*65*10
36	50	10	TC36*50*10	38	65	12	TC38*65*12
36	56	10	TC36*56*10	38	70	10	TC38*70*10
36	58	10	TC36*58*10	38	70	12	TC38*70*12
36	58	12	TC36*58*12	38	72	12	TC38*72*12
36	60	10	TC36*60*10	38	75	12	TC38*75*12
37	62	8	TC37*62*8	40	50	7	TC40*50*7
37	66	10	TC37*66*10	40	50	10	TC40*50*10
37	76	10	TC37*76*10	40	50	12	TC40*50*12

TC SEALS



Inner Diam.	Outer Diam.	Height	Order No.	Inner Diam.	Outer Diam.	Height	Order No.
40	52	5	TC40*52*5	40	70	12	TC40*70*12
40	52	8	TC40*52*8	40	72	8	TC40*72*8
40	52	10	TC40*52*10	40	72	10	TC40*72*10
40	52	12	TC40*52*12	40	72	12	TC40*72*12
40	55	7	TC40*55*7	40	75	8	TC40*75*8
40	55	8	TC40*55*8	40	75	10	TC40*75*10
40	55	10	TC40*55*10	40	75	12	TC40*75*12
40	55	12	TC40*55*12	40	80	7	TC40*80*7
40	56	7	TC40*56*7	40	80	10	TC40*80*10
40	56	8	TC40*56*8	40	80	12	TC40*80*12
40	56	10	TC40*56*10	40	85	10	TC40*85*10
40	56	12	TC40*56*12	40	85	12	TC40*85*12
40	58	8	TC40*58*8	40	90	8	TC40*90*8
40	58	10	TC40*58*10	40	90	10	TC40*90*10
40	58	12	TC40*58*12	40	90	12	TC40*90*12
40	60	5	TC40*60*5	42	55	5	TC42*55*5
40	60	7	TC40*60*7	42	55	7	TC42*55*7
40	60	8	TC40*60*8	42	55	8	TC42*55*8
40	60	10	TC40*60*10	42	55	10	TC42*55*10
40	60	12	TC40*60*12	42	55	12	TC42*55*12
40	62	5	TC40*62*5	42	60	8	TC42*60*8
40	62	7	TC40*62*7	42	60	9	TC42*60*9
40	62	8	TC40*62*8	42	60	10	TC42*60*10
40	62	9	TC40*62*9	42	60	12	TC42*60*12
40	62	10	TC40*62*10	42	62	7	TC42*62*7
40	62	12	TC40*62*12	42	62	8	TC42*62*8
40	64	8	TC40*64*8	42	62	10	TC42*62*10
40	65	5	TC40*65*5	42	62	12	TC42*62*12
40	65	8	TC40*65*8	42	65	8	TC42*65*8
40	65	10	TC40*65*10	42	65	10	TC42*65*10
40	65	12	TC40*65*12	42	65	12	TC42*65*12
40	68	5	TC40*68*5	42	68	10	TC42*68*10
40	68	8	TC40*68*8	42	68	12	TC42*68*12
40	68	10	TC40*68*10	42	70	10	TC42*70*10
40	68	12	TC40*68*12	42	70	12	TC42*70*12
40	70	5	TC40*70*5	42	72	8	TC42*72*8
40	70	8	TC40*70*8	42	72	10	TC42*72*10
40	70	10	TC40*70*10	42	72	12	TC42*72*12

TC SEALS



Inner Diam.	Outer Diam.	Height	Order No.	Inner Diam.	Outer Diam.	Height	Order No.
42	75	10	TC42*75*10	45	72	8	TC45*72*8
42	75	12	TC42*75*12	45	72	10	TC45*72*10
42	80	12	TC42*80*12	45	72	12	TC45*72*12
43	72	10	TC43*72*10	45	75	8	TC45*75*8
43	72	12	TC43*72*12	45	75	10	TC45*75*10
44	58	8	TC44*58*8	45	75	12	TC45*75*12
44	62	5	TC44*62*5	45	76	9	TC45*76*9
44	62	8	TC44*62*8	45	78	12	TC45*78*12
44	62	10	TC44*62*10	45	80	5	TC45*80*5
44	62	12	TC44*62*12	45	80	8	TC45*80*8
44	65	10	TC44*65*10	45	80	10	TC45*80*10
44	75	12	TC44*75*12	45	80	12	TC45*80*12
45	55	8	TC45*55*8	45	82	12	TC45*82*12
45	55	10	TC45*55*10	45	85	10	TC45*85*10
45	55	12	TC45*55*12	45	85	12	TC45*85*12
45	56	8	TC45*56*8	45	90	10	TC45*90*10
45	60	7	TC45*60*7	45	90	12	TC45*90*12
45	60	8	TC45*60*8	45	100	12	TC45*100*12
45	60	10	TC45*60*10	46	64	8	TC46*64*8
45	60	12	TC45*60*12	47	65	12	TC47*65*12
45	62	7	TC45*62*7	47	72	8	TC47*72*8
45	62	8	TC45*62*8	47	84	12	TC47*84*12
45	62	9	TC45*62*9	48	60	10	TC48*60*10
45	62	10	TC45*62*10	48	62	8	TC48*62*8
45	62	12	TC45*62*12	48	62	10	TC48*62*10
45	65	5	TC45*65*5	48	62	12	TC48*62*12
45	65	8	TC45*65*8	48	65	8	TC48*65*8
45	65	10	TC45*65*10	48	65	9	TC48*65*9
45	65	12	TC45*65*12	48	65	10	TC48*65*10
45	68	5	TC45*68*5	48	65	12	TC48*65*12
45	68	8	TC45*68*8	48	70	10	TC48*70*10
45	68	10	TC45*68*10	48	70	12	TC48*70*12
45	68	12	TC45*68*12	48	72	10	TC48*72*10
45	70	5	TC45*70*5	48	72	12	TC48*72*12
45	70	8	TC45*70*8	48	74	12	TC48*74*12
45	70	10	TC45*70*10	48	75	12	TC48*75*12
45	70	12	TC45*70*12	48	78	12	TC48*78*12
45	72	5	TC45*72*5	48	80	10	TC48*80*10

TC SEALS



Inner Diam.	Outer Diam.	Height	Order No.	Inner Diam.	Outer Diam.	Height	Order No.
48	80	12	TC48*80*12	50	100	12	TC50*100*12
50	62	8	TC50*62*8	50	110	12	TC50*110*12
50	62	10	TC50*62*10	51	76	12	TC51*76*12
50	62	12	TC50*62*12	52	65	10	TC52*65*10
50	63	8	TC50*63*8	52	70	8	TC52*70*8
50	65	8	TC50*65*8	52	70	10	TC52*70*10
50	65	10	TC50*65*10	52	70	12	TC52*70*12
50	65	12	TC50*65*12	52	72	8	TC52*72*8
50	66	9	TC50*66*9	52	72	10	TC52*72*10
50	68	8	TC50*68*8	52	72	12	TC52*72*12
50	68	10	TC50*68*10	52	75	8	TC52*75*8
50	68	12	TC50*68*12	52	75	10	TC52*75*10
50	70	5	TC50*70*5	52	75	12	TC52*75*12
50	70	8	TC50*70*8	52	80	8	TC52*80*8
50	70	10	TC50*70*10	52	80	10	TC52*80*10
50	70	12	TC50*70*12	52	80	12	TC52*80*12
50	72	5	TC50*72*5	52	88	8	TC52*88*8
50	72	7	TC50*72*7	53	63	10	TC53*63*10
50	72	8	TC50*72*8	53	72	10	TC53*72*10
50	72	10	TC50*72*10	53	75	12	TC53*75*12
50	72	12	TC50*72*12	53	80	10	TC53*80*10
50	73	12	TC50*73*12	53	80	12	TC53*80*12
50	75	8	TC50*75*8	54	70	12	TC54*70*12
50	75	10	TC50*75*10	54	75	10	TC54*75*10
50	75	12	TC50*75*12	55	70	8	TC55*70*8
50	78	12	TC50*78*12	55	70	10	TC55*70*10
50	80	5	TC50*80*5	55	70	12	TC55*70*12
50	80	8	TC50*80*8	55	72	8	TC55*72*8
50	80	10	TC50*80*10	55	72	10	TC55*72*10
50	80	12	TC50*80*12	55	72	12	TC55*72*12
50	82	12	TC50*82*12	55	74	10	TC55*74*10
50	85	8	TC50*85*8	55	75	8	TC55*75*8
50	85	10	TC50*85*10	55	75	10	TC55*75*10
50	85	12	TC50*85*12	55	75	12	TC55*75*12
50	90	10	TC50*90*10	55	76	12	TC55*76*12
50	90	12	TC50*90*12	55	78	8	TC55*78*8
50	95	12	TC50*95*12	55	78	12	TC55*78*12
50	100	10	TC50*100*10	55	80	8	TC55*80*8

TC SEALS



Inner Diam.	Outer Diam.	Height	Order No.	Inner Diam.	Outer Diam.	Height	Order No.
55	80	10	TC55*80*10	60	90	10	TC60*90*10
55	80	12	TC55*80*12	60	90	12	TC60*90*12
55	82	12	TC55*82*12	60.5	93	10	TC60.5*93*10
55	85	8	TC55*85*8	60.5	93	12	TC60.5*93*12
55	85	10	TC55*85*10	60	95	10	TC60*95*10
55	85	12	TC55*85*12	60	95	12	TC60*95*12
55	90	8	TC55*90*8	60	100	12	TC60*100*12
55	90	10	TC55*90*10	60	100	13	TC60*100*13
55	90	12	TC55*90*12	60	110	12	TC60*110*12
55	95	12	TC55*95*12	60	126		TC60*126
55	100	10	TC55*100*10	60	130	12	TC60*130*12
55	100	12	TC55*100*12	62	80	10	TC62*80*10
55	110	12	TC55*110*12	62	80	12	TC62*80*12
57	80	12	TC57*80*12	62	85	10	TC62*85*10
57	82.5	12	TC57*82.5*12	62	85	12	TC62*85*12
57	85	12	TC57*85*12	62	90	12	TC62*90*12
58	74	10	TC58*74*10	62	93	12	TC62*93*12
58	75	10	TC58*75*10	62	95	12	TC62*95*12
58	80	10	TC58*80*10	62	100	12	TC62*100*12
58	80	12	TC58*80*12	65	80	8	TC65*80*8
58	85	12	TC58*85*12	65	80	10	TC65*80*10
58	86	13	TC58*86*13	65	80	12	TC65*80*12
60	72	8	TC60*72*8	65	85	8	TC65*85*8
60	72	10	TC60*72*10	65	85	10	TC65*85*10
60	72	12	TC60*72*12	65	85	12	TC65*85*12
60	75	8	TC60*75*8	65	90	8	TC65*90*8
60	75	10	TC60*75*10	65	90	10	TC65*90*10
60	75	12	TC60*75*12	65	90	12	TC65*90*12
60	80	7	TC60*80*7	65	95	10	TC65*95*10
60	80	8	TC60*80*8	65	95	12	TC65*95*12
60	80	10	TC60*80*10	65	100	10	TC65*100*10
60	80	12	TC60*80*12	65	100	12	TC65*100*12
60	82	12	TC60*82*12	65	105	12	TC65*105*12
60	65	8	TC60*65*8	65	110	10	TC65*110*10
60	85	10	TC60*85*10	65	110	12	TC65*110*12
60	85	12	TC60*85*12	65	120	12	TC65*120*12
60	86.5	10	TC60*86.5*10	65	140	12	TC65*140*12
60	90	8	TC60*90*8	68	90	10	TC68*90*10

TC SEALS



Inner Diam.	Outer Diam.	Height	Order No.	Inner Diam.	Outer Diam.	Height	Order No.
68	100	10	TC68*100*10	75	95	10	TC75*95*10
68	100	13	TC68*100*13	75	95	12	TC75*95*12
68	110	12	TC68*110*12	75	100	10	TC75*100*10
68	120	12	TC68*120*12	75	100	12	TC75*100*12
67.85	86	11	TC67.85*86*11	75	100	13	TC75*100*13
69	86	8	TC69*86*8	75	105	10	TC75*105*10
70	80	8	TC70*80*8	75	105	12	TC75*105*12
70	85	8	TC70*85*8	75	106	12	TC75*106*12
70	85	12	TC70*85*12	75	110	10	TC75*110*10
70	87	6	TC70*87*6	75	110	12	TC75*110*12
70	88	12	TC70*88*12	75	115	12	TC75*115*12
70	90	8	TC70*90*8	75	120	12	TC75*120*12
70	90	10	TC70*90*10	75	130	12	TC75*130*12
70	90	12	TC70*90*12	77	102	12	TC77*102*12
70	90	13	TC70*90*13	80	95	12	TC80*95*12
70	92	12	TC70*92*12	80	100	10	TC80*100*10
70	95	7	TC70*95*7	80	100	12	TC80*100*12
70	95	10	TC70*95*10	80	105	10	TC80*105*10
70	95	12	TC70*95*12	80	105	12	TC80*105*12
70	95	13	TC70*95*13	80	105	13	TC80*105*13
70	100	10	TC70*100*10	80	110	10	TC80*110*10
70	100	12	TC70*100*12	90	130	12	TC90*130*12
70	100	13	TC70*100*13	90	130	13	TC90*130*13
70	105	10	TC70*105*10	90	135	12	TC90*135*12
70	105	12	TC70*105*12	90	135	14	TC90*135*14
70	110	10	TC70*110*10	90	140	12	TC90*140*12
70	110	12	TC70*110*12	90	140	14	TC90*140*14
70	115	12	TC70*115*12	90	145	12	TC90*145*12
70	120	12	TC70*120*12	90	145	14	TC90*145*14
70	130	12	TC70*130*12	90	150	12	TC90*150*12
72	90	10	TC72*90*10	90	150	14	TC90*150*14
72	90	12	TC72*90*12	92	120	12	TC92*120*12
72	95	12	TC72*95*12	92	125	12	TC92*125*12
72	100	12	TC72*100*12	95	105	12	TC95*105*12
72	110	12	TC72*110*12	95	110	12	TC95*110*12
75	90	10	TC75*90*10	95	115	10	TC95*115*10
75	90	12	TC75*90*12	95	115	12	TC95*115*12
75	95	6	TC75*95*6	95	120	8	TC95*120*8

TC SEALS



Inner Diam.	Outer Diam.	Height	Order No.	Inner Diam.	Outer Diam.	Height	Order No.
95	120	10	TC95*120*10	105	135	12	TC105*135*12
95	120	12	TC95*120*12	105	135	14	TC105*135*14
95	125	10	TC95*125*10	105	140	12	TC105*140*12
95	125	12	TC95*125*12	105	140	14	TC105*140*14
95	130	12	TC95*130*12	105	145	12	TC105*145*12
95	130	13	TC95*130*13	105	145	14	TC105*145*14
95	130	14	TC95*130*14	105	150	12	TC105*150*12
95	135	12	TC95*135*12	105	150	14	TC105*150*14
95	135	14	TC95*135*14	110	130	12	TC110*130*12
95	140	12	TC95*140*12	110	130	13	TC110*130*13
95	140	14	TC95*140*14	110	130	14	TC110*130*14
95	145	12	TC95*145*12	110	135	12	TC110*135*12
95	145	14	TC95*145*14	110	135	14	TC110*135*14
98	120	12	TC98*120*12	110	140	10	TC110*140*10
98	122	13	TC98*122*13	110	140	12	TC110*140*12
98	130	12	TC98*130*12	110	140	13	TC110*140*13
100	120	10	TC100*120*10	110	140	14	TC110*140*14
100	120	12	TC100*120*12	110	145	12	TC110*145*12
100	125	10	TC100*125*10	110	145	14	TC110*145*14
100	125	12	TC100*125*12	110	150	12	TC110*150*12
100	130	12	TC100*130*12	110	150	14	TC110*150*14
100	130	13	TC100*130*13	115	130	12	TC115*130*12
100	130	14	TC100*130*14	115	135	12	TC115*135*12
100	135	12	TC100*135*12	115	135	14	TC115*135*14
100	135	14	TC100*135*14	115	140	12	TC115*140*12
100	140	12	TC100*140*12	115	140	13	TC115*140*13
100	140	14	TC100*140*14	115	140	14	TC115*140*14
100	145	12	TC100*145*12	115	145	12	TC115*145*12
100	145	14	TC100*145*14	115	145	14	TC115*145*14
100	150	12	TC100*150*12	115	150	12	TC115*150*12
100	150	14	TC100*150*14	115	150	14	TC115*150*14
101	125	13	TC101*125*13	115	160	15	TC115*160*15
102	130	12	TC102*130*12	118	142	14	TC118*142*14
105	125	12	TC105*125*12	118	150	12	TC118*150*12
105	130	7.5	TC105*130*7.5	120	140	12	TC120*140*12
105	130	12	TC105*130*12	120	140	14	TC120*140*14
105	130	13	TC105*130*13	120	145	12	TC120*145*12
105	130	14	TC105*130*14	120	145	14	TC120*145*14

TC SEALS



Inner Diam.	Outer Diam.	Height	Order No.	Inner Diam.	Outer Diam.	Height	Order No.
120	150	10	TC120*150*10	130	170	14	TC130*170*14
120	150	12	TC120*150*12	130	170	15	TC130*170*15
120	150	14	TC120*150*14	135	160	12	TC135*160*12
120	150	15	TC120*150*15	135	160	14	TC135*160*14
120	150	16	TC120*150*16	135	160	15	TC135*160*15
120	155	14	TC120*155*14	135	160	16	TC135*160*16
120	160	12	TC120*160*12	135	165	15	TC135*165*15
120	160	13	TC120*160*13	135	170	12	TC135*170*12
120	160	14	TC120*160*14	135	170	14	TC135*170*14
120	160	15	TC120*160*15	135	170	15	TC135*170*15
120	160	16	TC120*160*16	135	170	16	TC135*170*16
120	170	12	TC120*170*12	135	175	16	TC135*175*16
120	170	14	TC120*170*14	140	160	12	TC140*160*12
120	170	16	TC120*170*16	140	160	14	TC140*160*14
120	180	15	TC120*180*15	140	170	12	TC140*170*12
125	140	12	TC125*140*12	140	170	14	TC140*170*14
125	140	14	TC125*140*14	140	170	15	TC140*170*15
125	145	12	TC125*145*12	140	170	16	TC140*170*16
125	145	14	TC125*145*14	140	175	16	TC140*175*16
125	148	12	TC125*148*12	140	180	15	TC140*180*15
125	150	12	TC125*150*12	142	170	16	TC142*170*16
125	150	13	TC125*150*13	142	177	15	TC142*177*15
125	150	14	TC125*150*14	145	170	15	TC145*170*15
125	150	15	TC125*150*15	145	175	14	TC145*175*14
125	155	15	TC125*155*15	145	175	15	TC145*175*15
125	160	12	TC125*160*12	145	175	16	TC145*175*16
125	160	14	TC125*160*14	145	180	16	TC145*180*16
125	160	15	TC125*160*15	150	170	15	TC150*170*15
125	160	16	TC125*160*16	150	170	16	TC150*170*16
130	150	12	TC130*150*12	150	180	12	TC150*180*12
130	150	14	TC130*150*14	150	180	13	TC150*180*13
130	160	12	TC130*160*12	150	180	14	TC150*180*14
130	160	13	TC130*160*13	150	180	15	TC150*180*15
130	160	14	TC130*160*14	150	180	16	TC150*180*16
130	160	15	TC130*160*15	150	185	15	TC150*185*15
130	160	16	TC130*160*16	150	190	16	TC150*190*16
130	165	15	TC130*165*15	155	180	12	TC155*180*12
130	170	12	TC130*170*12	155	180	15	TC155*180*15

TC SEALS



Inner Diam.	Outer Diam.	Height	Order No.	Inner Diam.	Outer Diam.	Height	Order No.
155	180	16	TC155*180*16	190	220	15	TC190*220*15
155	185	15	TC155*185*15	190	220	16	TC190*220*16
155	190	16	TC155*190*16	190	220	18	TC190*220*18
160	180	16	TC160*180*16	190	225	12	TC190*225*12
160	185	15	TC160*185*15	190	225	15	TC190*225*15
160	190	12	TC160*190*12	190	225	18	TC190*225*18
160	190	13	TC160*190*13	190	230	15	TC190*230*15
160	190	15	TC160*190*15	190	230	18	TC190*230*18
160	190	16	TC160*190*16	190	240	15	TC190*240*15
160	195	16	TC160*195*16	190	240	16	TC190*240*16
160	200	15	TC160*200*15	190	240	18	TC190*240*18
160	200	16	TC160*200*16	195	225	18	TC195*225*18
165	190	16	TC165*190*16	195	230	15	TC195*230*15
165	195	16	TC165*195*16	195	230	20	TC195*230*20
165	200	16	TC165*200*16	195	235	16	TC195*235*16
170	190	16	TC170*190*16	200	220	12	TC200*220*12
170	200	12	TC170*200*12	200	225	15	TC200*225*15
170	200	15	TC170*200*15	200	225	18	TC200*225*18
170	200	16	TC170*200*16	200	230	15	TC200*230*15
170	210	15	TC170*210*15	200	230	16	TC200*230*16
175	200	12	TC175*200*12	200	230	18	TC200*230*18
175	200	15	TC175*200*15	200	235	15	TC200*235*15
175	200	16	TC175*200*16	200	235	18	TC200*235*18
175	205	15	TC175*205*15	200	240	15	TC200*240*15
175	215	15	TC175*215*15	200	240	16	TC200*240*16
180	200	15	TC180*200*15	200	240	18	TC200*240*18
180	210	15	TC180*210*15	200	250	15	TC200*250*15
180	210	16	TC180*210*16	200	250	18	TC200*250*18
180	210	18	TC180*210*18	210	240	15	TC210*240*15
180	215	15	TC180*215*15	210	240	16	TC210*240*16
180	215	16	TC180*215*16	210	240	18	TC210*240*18
180	215	18	TC180*215*18	210	250	15	TC210*250*15
180	220	15	TC180*220*15	210	250	18	TC210*250*18
180	220	16	TC180*220*16	215	240	12	TC215*240*12
180	220	18	TC180*220*18	215	250	15	TC215*250*15
185	210	16	TC185*210*16	215	250	16	TC215*250*16
185	215	15	TC185*215*15	215	250	18	TC215*250*18
185	215	16	TC185*215*16	220	240	18	TC220*240*18

TC SEALS



Inner Diam.	Outer Diam.	Height	Order No.	Inner Diam.	Outer Diam.	Height	Order No.
220	250	12	TC220*250*12	280	320	18	TC280*320*18
220	250	15	TC220*250*15	280	320	20	TC280*320*20
220	250	18	TC220*250*18	290	330	18	TC290*330*18
220	255	18	TC220*255*18	290	330	20	TC290*330*20
220	260	15	TC220*260*15	295	340	20	TC295*340*20
220	260	16	TC220*260*16	300	340	18	TC300*340*18
220	260	18	TC220*260*18	300	340	20	TC300*340*20
230	260	18	TC230*260*18	300	344	20	TC300*344*20
230	265	18	TC230*265*18	310	350	18	TC310*350*18
235	255	12	TC235*255*12	310	350	20	TC310*350*20
235	265	12	TC235*265*12	320	358	20	TC320*358*20
235	265	16	TC235*265*16	320	360	18	TC320*360*18
235	265	18	TC235*265*18	320	360	20	TC320*360*20
235	270	16	TC235*270*16	330	370	15	TC330*370*15
240	270	15	TC240*270*15	330	370	18	TC330*370*18
240	270	18	TC240*270*18	330	370	20	TC330*370*20
240	275	18	TC240*275*18	330	370	25	TC330*370*25
240	280	15	TC240*280*15	340	380	20	TC340*380*20
240	280	18	TC240*280*18	342.9	393.7	20.62	TC342.9*393.7*20.62
250	280	18	TC250*280*18	350	390	18	TC350*390*18
260	280	10	TC260*280*10	350	390	20	TC350*390*20
250	285	18	TC250*285*18	355	395	20	TC355*395*20
250	290	15	TC250*290*15	355	400	20	TC355*400*20
250	290	18	TC250*290*18	360	400	20	TC360*400*20
260	290	15	TC260*290*15	360	420	28	TC360*420*28
260	290	18	TC260*290*18	370	410	15	TC370*410*15
260	290	20	TC260*290*20	370	410	20	TC370*410*20
250	300	20	TC250*300*20	380	420	20	TC380*420*20
260	300	18	TC260*300*18	390	430	20	TC390*430*20
260	300	20	TC260*300*20	400	440	20	TC400*440*20
260	300	30	TC260*300*30	400	444	20	TC400*444*20
265	290	16	TC265*290*16	400	450	15.6	TC400*450*15.6
265	300	18	TC265*300*18	400	450	18	TC400*450*18
270	310	18	TC270*310*18	400	450	20	TC400*450*20
270	310	20	TC270*310*20	400	450	25	TC400*450*25
273.05	311.15	14.3	TC273.05*311.15*14.3	400	460	25	TC400*460*25
270	320	18	TC270*320*18	406.4	444	17.5	TC406.4*444*17.5
275	310	15	TC275*310*15	410	450	20	TC410*450*20

TC SEALS



Inner Diam.	Outer Diam.	Height	Order No.	Inner Diam.	Outer Diam.	Height	Order No.
410	460	25	TC410*460*25	510	560	20	TC510*560*20
416	456	20	TC416*456*20	510	560	25	TC510*560*25
420	460	20	TC420*460*20	520	560	20	TC520*560*20
420	470	20	TC420*470*20	520	570	25	TC520*570*25
420	470	25	TC420*470*25	530	570	20	TC530*570*20
420	480	25	TC420*480*25	530	580	15	TC530*580*15
430	470	18	TC430*470*18	530	580	22	TC530*580*22
430	470	20	TC430*470*20	530	580	25	TC530*580*25
430	470	25	TC430*470*25	540	580	20	TC540*580*20
430	480	25	TC430*480*25	540	590	20	TC540*590*20
430	480	22	TC430*480*22	540	590	25	TC540*590*25
440	480	20	TC440*480*20	550	600	25	TC550*600*25
440	490	25	TC440*490*25	550	610	25	TC550*610*25
450	490	20	TC450*490*20	555	610	25	TC555*610*25
450	500	20	TC450*500*20	560	600	20	TC560*600*20
450	500	25	TC450*500*25	560	610	20	TC560*610*20
450	510	25	TC450*510*25	560	610	22	TC560*610*22
460	500	20	TC460*500*20	560	610	25	TC560*610*25
460	510	25	TC460*510*25	570	610	20	TC570*610*20
465	510	20	TC465*510*20	570	620	20	TC570*620*20
470	520	20	TC470*520*20	570	620	22	TC570*620*22
470	520	25	TC470*520*25	570	620	25	TC570*620*25
480	520	20	TC480*520*20	580	630	22	TC580*630*22
480	530	20	TC480*530*20	580	630	25	TC580*630*25
480	530	22	TC480*530*22	580	640	20	TC580*640*20
480	530	25	TC480*530*25	580	640	25	TC580*640*25
480	530	28	TC480*530*28	590	640	25	TC590*640*25
480	540	25	TC480*540*25	600	640	20	TC600*640*20
480	540	28	TC480*540*28	600	650	20	TC600*650*20
485	520	16	TC485*520*16	600	650	22	TC600*650*22
490	540	25	TC490*540*25	600	650	25	TC600*650*25
490	550	20	TC490*550*20	600	660	25	TC600*660*25
490	550	25	TC490*550*25	609	660.4	25.4	TC609*660.4*25.4
500	540	20	TC500*540*20	610	660	25	TC610*660*25
500	540	25	TC500*540*25	620	670	25	TC620*670*25
500	550	20	TC500*550*20	630	670	20	TC630*670*20
500	550	25	TC500*550*25	630	680	25	TC630*680*25
500	560	28	TC500*560*28	640	690	25	TC640*690*25

TC SEALS



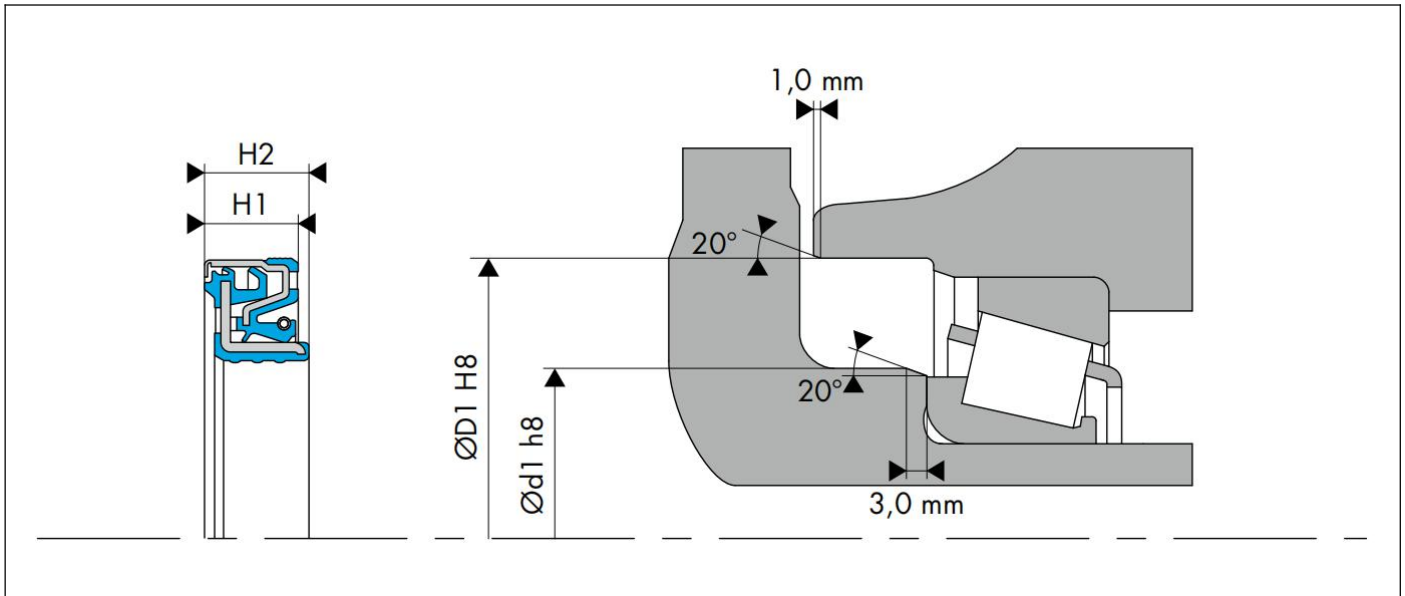
Inner Diam.	Outer Diam.	Height	Order No.	Inner Diam.	Outer Diam.	Height	Order No.
650	700	25	TC650*700*25	800	850	25	TC800*850*25
650	710	25	TC650*710*25	800	860	25	TC800*860*25
660	700	25	TC660*700*25	810	870	25	TC810*870*25
670	720	25	TC670*720*25	810	874	25	TC810*874*25
670	730	25	TC670*730*25	840	890	25	TC840*890*25
676	740	25	TC676*740*25	840	910	25	TC840*910*25
680	730	22	TC680*730*22	850	900	25	TC850*900*25
685	745	25	TC685*745*25	850	910	25	TC850*910*25
700	750	25	TC700*750*25	870	920	25	TC870*920*25
710	760	25	TC710*760*25	890	950	25	TC890*950*25
730	790	25	TC730*790*25	900	960	25	TC900*960*25
740	790	25	TC740*790*25	900	960	30	TC900*960*30
750	800	25	TC750*800*25	900	950	25	TC900*950*25
780	830	25	TC780*830*25				

CASSETTE SEALS

1. Description

Cassette seals are reliable rotary sealing solutions that are effective against multiple heavy-duty pollutants, such as dust, jets of water, mud and stones, UV rays, aggressive fluids, etc. Internal dynamic and static sealing systems provide ultimate protection from any external soiling and contamination that will otherwise compromise application performances and adversely affect vehicle reliability. Each cassette seal consists of an oil seal and a sleeve, which have been unitized. Labyrinth seal technology protects them from external soiling.

2. Installation Recommendation



3. Standard materials

NBR

4. Installation Dimensions

Inner Diam.	Outer Diam.	Height	Order No.
45	70	14/17	cassette45*70*14/17
56	80	13/14.5	cassette56*80*13/14.5
65	92	10/15	cassette65*92*10/15
70	95	13/14.5	cassette70*95*13/14.5
75	100	13/14.5	cassette75*100*13/14.5
85	110	13/14.5	cassette85*110*13/14.5
110	140	14.5/16	cassette110*140*14.5/16
127	160	15.5/17.5	cassette127*160*15.5/17.5
136.8	165	13	cassette136.8*165*13
147	170	15.5/16	cassette147*170*15.5/16
148	170	14	cassette148*170*14
145	175	14.5/15.5	cassette145*175*14.5/15.5
145	189	15.5/17	cassette145*189*15.5/17

CASSETTE SEALS



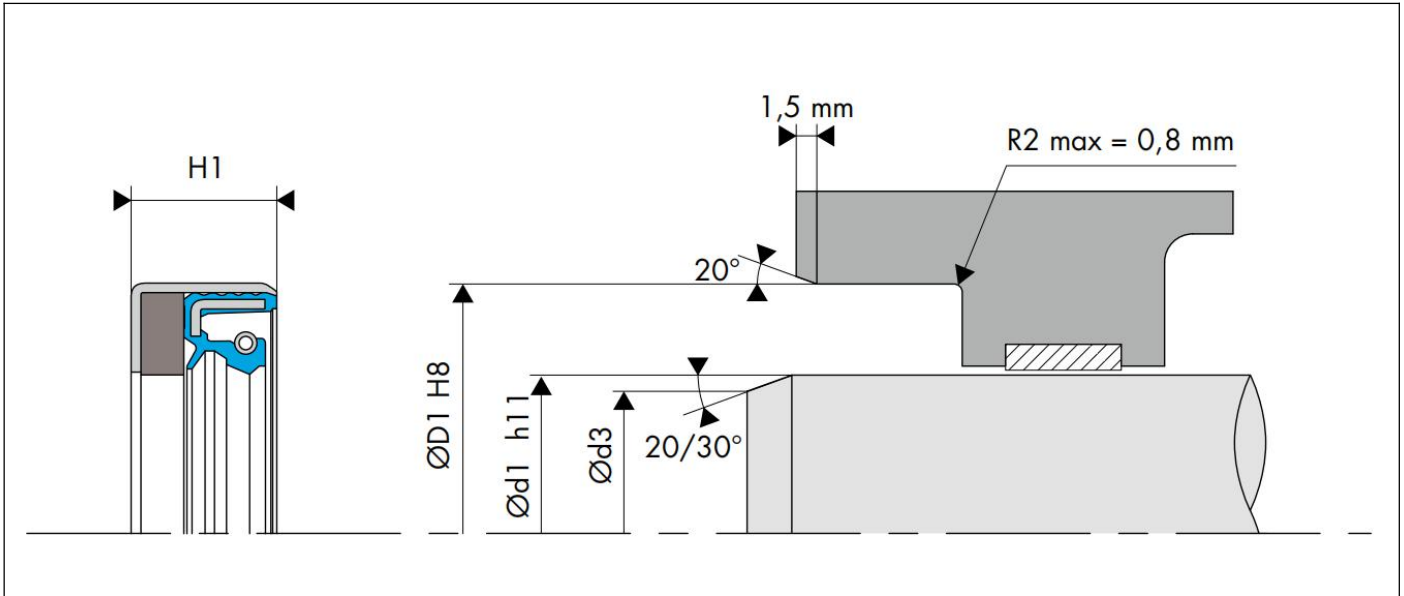
Inner Diam.	Outer Diam.	Height	Order No.
150.15	178	13/16	cassette150.15*178*13/16
150	180	14.5/16	cassette150*180*14.5/16
155	190	17.5/19	cassette155*190*17.5/19
165	195	16.5/18	cassette165*195*16.5/18
167.8	198	15.5/16	cassette167.8*198*15.5/16
189.8	230	15.5/17	cassette189.8*230*15.5/17
190	220	16/18	cassette190*220*16/18
210	240	16/18	cassette210*240*16/18



1. Description

Combi seals are inseparable entities linked by metal frames, composed of standard or custom-made shaft seals and polyurethane anti-pollution deflectors. They are particularly valued for their great ability to form an anti-pollution barrier. Combination of a Simmerring and an additional seal against dirt from the outside in one housing. Primarily for usage in all applications with high level of soiling, e.g., in axles for off-road vehicles.

2. Installation Recommendation



3. Standard materials

NBR

4. Installation Dimensions

Inner Diam.	Outer Diam.	Height	Order No.
45	55	7	combi45*55*7
45	62	11.2	combi45*62*11.2
46	65	16	combi46*65*16
46	65	21	combi46*65*21
50	75	12	combi50*75*12
56	75	16	combi56*75*16
56	75	22.5	combi56*75*22.5
55	80	11	combi55*80*11
65	90	20	combi65*90*20
75	102	14	combi75*102*14

TCV SEALS



1. Description

TCV is the standard oil seal which used for rotation axis. It is linked together with metal skeleton and rubber elastic layer. Mainly used for the working conditions of low pressure and high speed rotation.

2. Standard materials

FKM, NBR

3. Installation Dimensions

Inner Diam.	Outer Diam.	Height	Order No.
17	30	6	TCV17*30*6
17.46	28.58	5.7/6.3	TCV17.46*28.58*5.7/6.3
18	30	6	TCV18*30*6
18	35	9	TCV18*35*9
19	30	6	TCV19*30*6
19	35	6	TCV19*35*6
20	47	6	TCV20*47*6
22	35	6	TCV22*35*6
24	38	8	TCV24*38*8
25	35	6	TCV25*35*6
25	35	7	TCV25*35*7
28	40	6	TCV28*40*6
28.56	42	5.5	TCV28.56*42*5.5
28.575	50.8	6.35	TCV28.575*50.8*6.35
30	42	7	TCV30*42*7
30	48	6	TCV30*48*6
30	52	7	TCV30*52*7
34.92	52	6	TCV34.92*52*6
34.93	50.8	7.95	TCV34.93*50.8*7.95
35	47	6	TCV35*47*6
35	52	7	TCV35*52*7
35	54	6/5.5	TCV35*54*6/5.5
35	55	7	TCV35*55*7
35	57	8	TCV35*57*8
37	57	9	TCV37*57*9
38.1	57.15	7.95	TCV38.1*57.15*7.95
40	52	7	TCV40*52*7
40	55	7	TCV40*55*7
40	60	12	TCV40*60*12
40	62	7	TCV40*62*7
40	67	7	TCV40*67*7

TCV SEALS



Inner Diam.	Outer Diam.	Height	Order No.
40	80	7	TCV40*80*7
42	62	7	TCV42*62*7
42	72	6.5	TCV42*72*6.5
43.5	63.5	7	TCV43.5*63.5*7
44.45	57.15	7.9	TCV44.45*57.15*7.9
44.45	60	7	TCV44.45*60*7
45	62	7	TCV45*62*7
45	63	8	TCV45*63*8
45	65	6	TCV45*65*6
45	65	7	TCV45*65*7
45	80	7	TCV45*80*7
47	62	8	TCV47*62*8
49.23	63.55	7.95	TCV49.23*63.55*7.95
50	65	7	TCV50*65*7
50	68	7	TCV50*68*7
50	70	7	TCV50*70*7
50	72	7	TCV50*72*7
50	75	8	TCV50*75*8
50	80	7	TCV50*80*7
52	72	7/8	TCV52*72*7/8
55	70	7	TCV55*70*7
55	72	8	TCV55*72*8
55	78	8	TCV55*78*8
55	90	7	TCV55*90*7
58	80	8	TCV58*80*8
60	80	7	TCV60*80*7
62	85	7	TCV62*85*7
65	97	7.5	TCV65*97*7.5
70	95	7	TCV70*95*7
73	90	7/8	TCV73*90*7/8
80	100	7	TCV80*100*7
60	106	7	TCV60*106*7
85	110	8	TCV85*110*8
90	110	7	TCV90*110*7
75	120	7	TCV75*120*7
100	120	8	TCV100*120*8

TCN SEALS



1. Description

TCN is pressure-resistant oil seal with an auxiliary cage to minimize lip deformation under pressure. Used for high-pressure rotating shafts.

2. Standard materials

NBR, FKM

3. Installation Dimensions

Inner Diam.	Outer Diam.	Height	Part No.	Order No.
17	35	8	AP0760	TCN17*35*8
20	35	8	AP1013E	TCN20*35*8
20	40	11	AP1033I	TCN20*40*11
22	42	10	AP1147F	TCN22*42*10
22	42	11	AP1148F	TCN22*42*11
24	40	8	AP1260E	TCN24*40*8
25	45	11	AP1338F	TCN25*45*11
28	48	11	AP1563J	TCN28*48*11
30	42	7	AP1665E	TCN30*42*7
30	50	11	AP1709H	TCN30*50*11
32	52	11	AP1904F	TCN32*52*11
34	54	11	AP1978G	TCN34*54*11
35	55	11	AP2085G	TCN35*55*11
35	55	11	AP2085A	TCN35*55*11
35	55	12	AP2086F	TCN35*55*12
35	55	9	AP2083G	TCN35*55*9
38	58	11	AP2240G	TCN38*58*11
40	62	11	AP2388E	TCN40*62*11
40	60	12	AP2379F	TCN40*60*12
40	62	12	AP2390Q	TCN40*62*12
42	65	12	AP2507H	TCN42*65*12
45	65	12	AP2659E	TCN45*65*12
45	68	12	AP2668G	TCN45*68*12
48	62	9	AP2775G	TCN48*62*9
48	70	12	AP2791G	TCN48*70*12
50	72	12	AP2864I	TCN50*72*12
52	75	12	AP2967J	TCN52*75*12
52	75	9/3	AP2965E	TCN52*75*9/3
55	78	12	AP3055F	TCN55*78*12
58	80	12	AP3154H	TCN58*80*12
60	82	12	AP3222B	TCN60*82*12
62	85	12	AP3297G	TCN62*85*12

TCN SEALS



Inner Diam.	Outer Diam.	Height	Part No.	Order No.
65	90	13	AP3409F	TCN65*90*13
68	90	14	AP3461E	TCN68*90*14
70	95	13	AP3527B	TCN70*95*13
75	100	13	AP3618G	TCN75*100*13
80	105	13	AP3744K	TCN80*105*13
85	110	13	AP3842H	TCN85*110*13
90	115	13	AP3932B	TCN90*115*13
95	120	13	AP3994B	TCN95*120*13
100	125	13	AP4063B	TCN100*125*13
105	135	14	AP4153H	TCN105*135*14
110	140	14	AP4212B	TCN110*140*14
115	145	14	AP4282G	TCN115*145*14
120	150	14	AP4346B	TCN120*150*14
125	155	14	AP4399E	TCN125*155*14
130	160	14	AP4451G	TCN130*160*14
135	165	14	AP4498E	TCN135*165*14
140	170	14	AP4542F	TCN140*170*14
145	175	14	AP4581G	TCN145*175*14
150	180	14	AP4624G	TCN150*180*14
160	190	16	AP4713G	TCN160*190*16
170	200	16	AP4795F	TCN170*200*16
35	60	15	AP4561E	TCN35*60*15
44.45	63.55	9.5	UP0445E	TCN44.45*63.55*9.5
34.925	57.15	8.85	UP0449E	TCN34.925*57.15*8.85
33.34	72.39	9.5	UP0450E	TCN33.34*72.39*9.5
38.15	57.15	9.5	UP0234E	TCN38.15*57.15*9.5