

LED CANOPY LIGHT - CPA SERIES

Introduction

- ◆ The CPA Series is the latest generation Canopy Light of XSY Lighting, it is highly cost-effective, and offers complete configurations. The CPA Series delivers 4,050lm to 8,505lm lumens, which can replace 100W-250W HID luminaires.
- ◆ Photocell or microwave sensor are available.
- ◆ Surface or Pendant mounting for option.

Features

Construction:

- ◆ Die-casting aluminum housing with four 1/2" NPT side conduit entries.
- ◆ Quick mount plate for surface or junction box mounting.
- ◆ Pendant mount via 3/4" NPT pipe (not supplied)
- ◆ Heat-resistant polycarbonate lens.

Electrical:

- ◆ Selectable SKUs offer 3 wattage selections (63/45/30W) and 2 CCTs.
- ◆ -40°C minimum operating temperature.
- ◆ 45°C maximum operating temperature.
- ◆ >0.9 power factor.
- ◆ 0-10V dimming driver is standard.

Finish:

- ◆ Standard color is bronze

Typical Applications:

- ◆ Parking structures, storage areas, shopping area walkways, entryway.



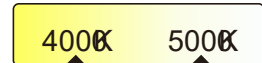
Warranty:

- ◆ Standard 5 years warranty

Product Selectable:



WATTAGE SELECTABLE



CCT SELECTABLE

Compliances:

- ◆ cULus listed for wet locations, max ambient temperature range 45°C



Ordering Guide

EXAMPLE: X-CPA(63/45/30)W-50KUV-XYZ

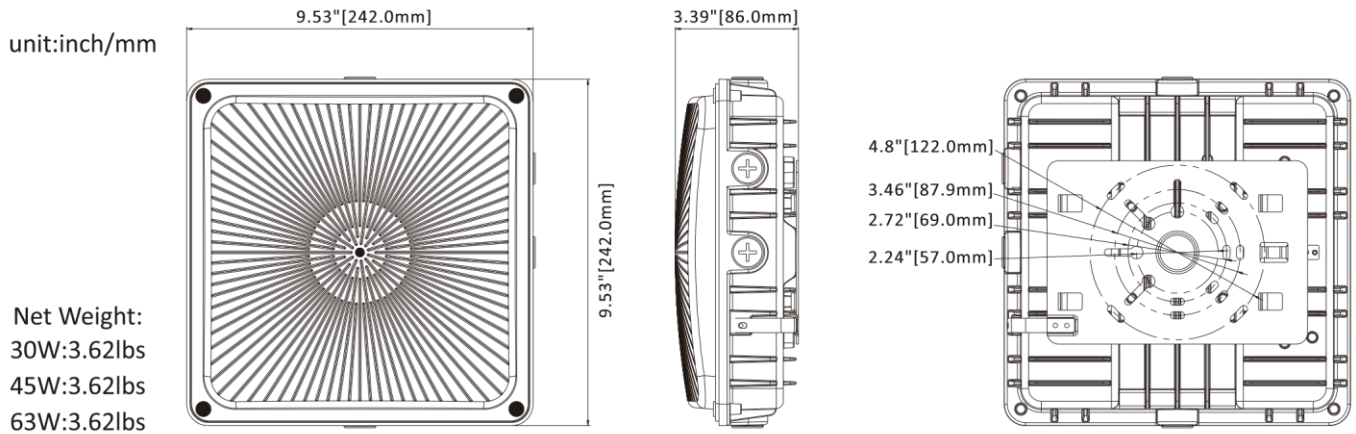
Brand	Product name	Wattage XXXW	CCT	Input Voltage	Sensor	Photocell	Product code
X	CPA	XXXW	XXK	AA	X	Y	Z

XSY	CPA	30W 45W 63W (63/45/30)W	40K=4000K 50K=5000K (40/50)K	UV=120-277V LV=120-347V	Blank=without moon Sensor S=with moon Sensor	Blank=without photocell P=with photocell	Can be blank, It could be any leer from A to Z
-----	-----	----------------------------------	------------------------------------	----------------------------	---	---	--

Parameters

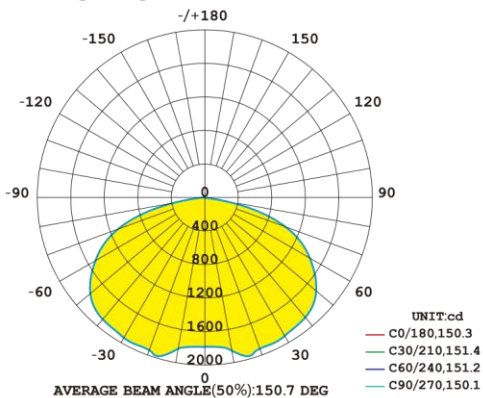
Model #	Waage	Lumens @50K	Input voltage	CRI	CCT
X-CPA30W-XXKUV-XYZ	30W	4050lm	AC120-277V AC120-347V	>70	40K 50K
X-CPA45W-XXKUV-XYZ	45W	6075lm			
X-CPA63W-XXKUV-XYZ	63W	8505lm			
X-CPA(63/45/30)W-XXKUV-XYZ	(63/45/30)W	4050lm/6075lm/8505lm			
X-CPA(63/45/30)W-(40/50)KUV-XYZ	(63/45/30)W	4050lm/6075lm/8505lm			40/50K selectable

Dimension





Photometrics

Parking Garage



Accessories

	Photocell
	Microwave sensor

Electrical data

Voltage (V)

Model Series

	X-CPA30W	X-CPA45W	X-CPA63W
	Current (A)	Current (A)	Current (A)
120V	0.25	0.38	0.53
208V	0.14	0.22	0.30
240V	0.12	0.19	0.26
277V	0.11	0.16	0.23
347V	0.09	0.13	0.18