

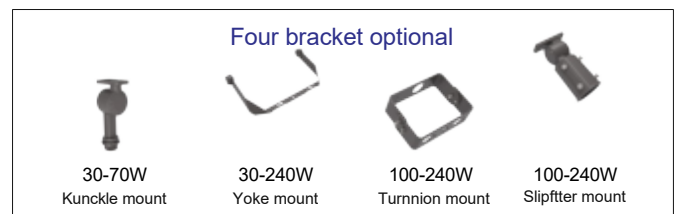
# LED FLOOD LIGHT

## Features

- ◆ UL、cUL、DLC5.1Premium certificate
- ◆ 30-240W optional
- ◆ High efficacy : 130-150LM/W
- ◆ 110° beam angle
- ◆ IP66 protection class
- ◆ Operating temperature: -30°C ~ 45°C
- ◆ Kunckle mount / Yoke mount / Turnnion mount / slipfitter mount optional
- ◆ Corrosion resistant cold forged aluminum construction
- ◆ 3 years warranty for 30W-70W
- ◆ 5 years warranty for 100-240W



## FLE SERIES

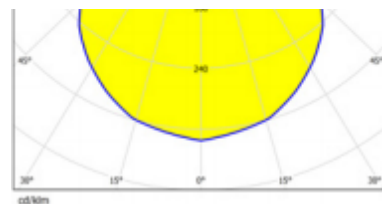


## Application

This flood light widely used for below applications :

- ◆ Shopping mall
- ◆ Exhibition centre
- Parks
- Car parking area
- Stadium
- Gymnasium
- Billboard
- School
- ◆ Other places need lighting product

## Photometric



110°



# SPECIFICATION FEATURUS

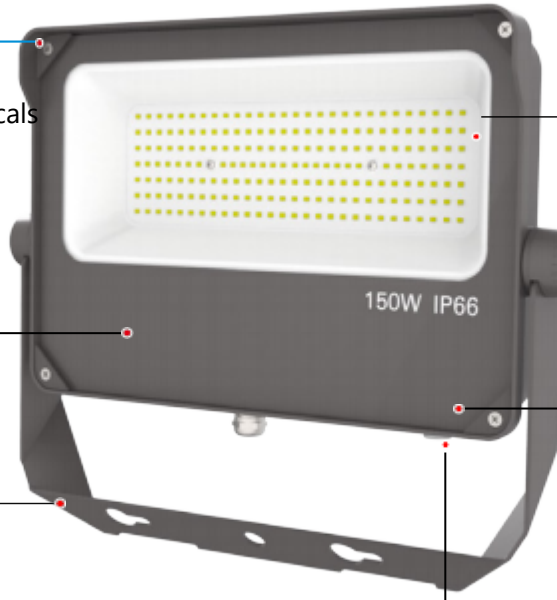
## Housing

Corrosion resistant;  
NO harmful substances or chemicals

## Tempered glass

## Mounting bracket

Four bracket optional



## Efficacy

130-150LM/W

## Adjustable angle



## LED driver

AC120-277V  
AC120-347V  
AC120V

## Photocell

(only 120-277V)

## Parameters

Model	Power	Input voltage	CRI	CCT	Efficacy	Lumen
X-FLE030W-XXKAAX-M	30W	AC120V	>70	3000K	120-130LM/W	3600-4550LM
X-FLE050W-XXKAAX-M	50W					6000-6500LM
X-FLE070W-XXKAAX-M	70W					8400-9100LM
X-FLE100W-XXKAAX-M	100W	AC120-277V AC120-347V		4000K	140-150LM/W	14000-15000LM
X-FLE150W-XXKAAX-M	150W					21000-22500LM
X-FLE200W-XXKAAX-M	200W					28000-30000LM
X-FLE240W-XXKAAX-M	240W			5700K		3600-4550LM
Brand	Product name	Power	CCT	Input voltage	Input voltage	Input voltage
X	FLE	XXXW	XXK	AA	X	M
		030W=30W 050W=50W 070W=70W 100W=100W 150W=150W 200W=200W 240W=240W	30K=3000K 40K=4000K 50K=5000K 57K=5700K	XV=120V SV=120-277V LV=120-347V	P=Photocell Blank=NO photocell	Blank = Yoke mount S = Slipfitter Mount Y = Turnnion mount K = Kunckle Mount

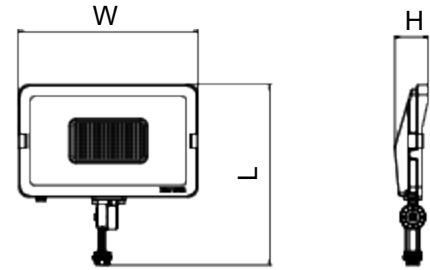
## Ordering Guide

For example: X - FLEXXXW - XXKAAX-M  
S = Slipfitter Mount

# LED FLOOD LIGHT

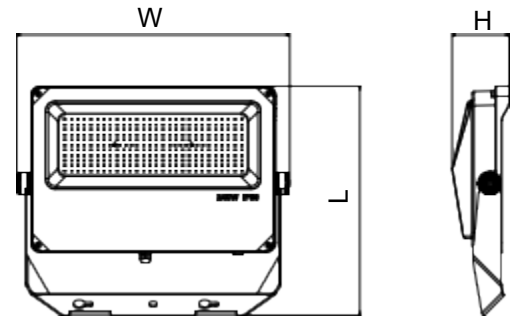
## Dimension

1/2"NPSM Knuckle Mount	L x W x H (mm)
30W	207.2x172.6x45.5
50W	232.1x212.4x45.3
70W	262.8x262.2x47.9



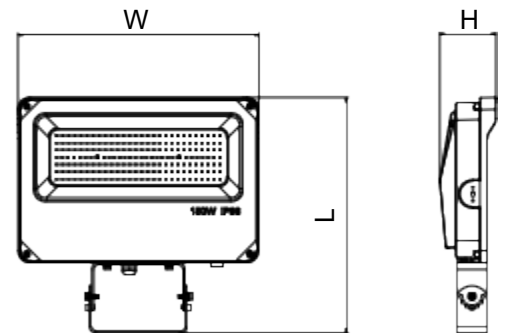
1/2"NPSM Knuckle Mount

Yoke mount	L x W x H (mm)
30W	164.7x191.1x45.5
50W	197.2x231.1x45.3
70W	233.0x282.4x47.9
100W	300.0x355.4x70.9
150W	336.0x399.4x82.0
200-240W	400.8x479.1x99.8



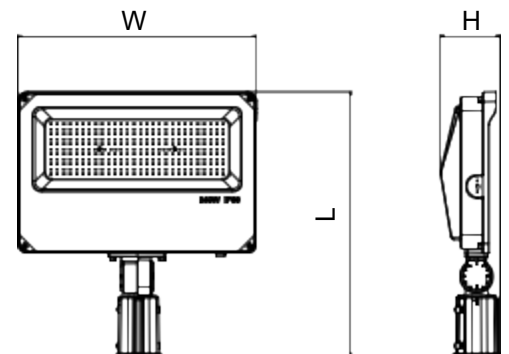
Yoke mount

Turnnion mount	L x W x H (mm)
100W	313.1x307.2x70.9
150W	343.1x351.2x81.9
200-240W	393.1x431.2x99.8



Turnnion mount

Slipfitter mount	L x W x H (mm)
100W	397.6x307.1x84.0
150W	427.6x351.2x89.0
200-240W	476.5x430.5x106.9



Slipfitter mount

# Package Info

Model	Inner Carton Dimension(mm)	Qty / Carton	N.W	G.W	Outer Carton Dimension(mm)	Qty / Carton	G.W
X-FLE030W-XXKAAX-M	L210 x W57 x H235	1PC	0.60KG	0.69KG	L437 x W312 x H260	10PCS	7.50KG
X-FLE050W-XXKAAX-M	L250 x W57 x H260	1PC	0.82KG	0.92KG	L517 x W313 x H285	10PCS	10.00KG
X-FLE070W-XXKAAX-M	L299 x W60 x H295	1PC	1.28KG	1.45KG	L643 x W315 x H320	10PCS	15.50KG

Model	Mount	Carton Dimension(mm)	Qty/Carton	N.W	G.W
X-FLE100W-XXKAAX-M	Turnnion mount	L365 x W345 x H110	1PC	2.80KG	3.40KG
X-FLE150W-XXKAAX-M	Turnnion mount	L395 x W395 x H125	1PC	3.60KG	4.30KG
X-FLE200W-XXKAAX-M	Turnnion mount	L445 x W470 x H150	1PC	5.20KG	6.00KG
X-FLE240W-XXKAAX-M	Turnnion mount	L445 x W470 x H150	1PC	5.40KG	6.30KG
X-FLE100W-XXKAAX-M	Yoke mount	L350 x W385 x H125	1PC	3.20KG	3.80KG
X-FLE150W-XXKAAX-M	Yoke mount	L385 x W430 x H125	1PC	4.10KG	4.70KG
X-FLE200W-XXKAAX-M	Yoke mount	L450 x W510 x H150	1PC	5.90KG	6.80KG
X-FLE240W-XXKAAX-M	Yoke mount	L450 x W510 x H150	1PC	6.20KG	7.00KG
X-FLE100W-XXKAAX-M	Slipfitter mount	L450 x W345 x H110	1PC	3.00KG	3.70KG
X-FLE150W-XXKAAX-M	Slipfitter mount	L480 x W395 x H125	1PC	3.80KG	4.60KG
X-FLE200W-XXKAAX-M	Slipfitter mount	L530 x W470 x H150	1PC	5.30KG	6.30KG
X-FLE240W-XXKAAX-M	Slipfitter mount	L530 x W470 x H150	1PC	5.60KG	6.60KG

## Safety Precaution

To reduce the risk of death, personal injury or property damage from fire, electric shock, falling parts, cuts/abrasions, and other hazards read all warnings and instructions included with and on the fixture box and all fixture labels.

Before installing, servicing, or performing routine maintenance upon this equipment, follow these general precautions.

Commercial installation, service and maintenance of luminaires should be performed by a qualified licensed electrician.

For The installati on: If you are unsure about the installation or maintenance of the luminaires, consult a qualified licensed electrician and check your local electrical code.

To prevent wiring damage or abrasion, do not expose wiring to edges of sheet metal or other sharp objects.

Do not make or alter any open holes in an enclosure of wiring or electrical components during kit installation.

### WARNING: RISK OF FIRE OR ELECTRICAL SHOCK

Turn off electrical power at fuse or circuit breaker box before wiring fixture to the power supply.

Turn off the power when you perform any maintenance.

Verify that supply voltage is correct by comparing it with the luminaire label information.

Make all electrical and grounded connections in accordance with the National Electrical Code and any applicable local code requirements.

All wiring connecti ons should be capped with UL approved wire connectors.

### CAUTION: RISK OF INJURY

Avoid direct eye exposure to the light source while it is on.

Account for small parts and destroy packing material, as these may be hazardous to children.